

Архангельск (8182)63-90-72
 Астана (7172)727-132
 Астрахань (8512)99-46-04
 Барнаул (3852)73-04-60
 Белгород (4722)40-23-64
 Брянск (4832)59-03-52
 Владивосток (423)249-28-31
 Волгоград (844)278-03-48
 Вологда (8172)26-41-59
 Воронеж (473)204-51-73
 Екатеринбург (343)384-55-89
 Иваново (4932)77-34-06

Ижевск (3412)26-03-58
 Иркутск (395)279-98-46
 Казань (843)206-01-48
 Калининград (4012)72-03-81
 Калуга (4842)92-23-67
 Кемерово (3842)65-04-62
 Киров (8332)68-02-04
 Краснодар (861)203-40-90
 Красноярск (391)204-63-61
 Курск (4712)77-13-04
 Липецк (4742)52-20-81

Киргизия (996)312-96-26-47

Магнитогорск (3519)55-03-13
 Москва (495)268-04-70
 Мурманск (8152)59-64-93
 Набережные Челны (8552)20-53-41
 Нижний Новгород (831)429-08-12
 Новокузнецк (3843)20-46-81
 Новосибирск (383)227-86-73
 Омск (3812)21-46-40
 Орел (4862)44-53-42
 Оренбург (3532)37-68-04
 Пенза (8412)22-31-16

Россия (495)268-04-70

Пермь (342)205-81-47
 Ростов-на-Дону (863)308-18-15
 Рязань (4912)46-61-64
 Самара (846)206-03-16
 Санкт-Петербург (812)309-46-40
 Саратов (845)249-38-78
 Севастополь (8692)22-31-93
 Симферополь (3652)67-13-56
 Смоленск (4812)29-41-54
 Сочи (862)225-72-31
 Ставрополь (8652)20-65-13

Казахстан (772)734-952-31

Сургут (3462)77-98-35
 Тверь (4822)63-31-35
 Томск (3822)98-41-53
 Тула (4872)74-02-29
 Тюмень (3452)66-21-18
 Ульяновск (8422)24-23-59
 Уфа (347)229-48-12
 Хабаровск (4212)92-98-04
 Челябинск (351)202-03-61
 Череповец (8202)49-02-64
 Ярославль (4852)69-52-93

<https://opacmare.nt-rt.ru/> || omp@nt-rt.ru

RETRACTABLE SLEWING GANGWAYS 2645 HYDRAULIC OPENING DEVICE



model	A (mm/inch)	B (mm/inch)	C (mm/inch)
2645	200 7"7/8	485 19"	480 19"

Hydraulic opening device conceived to manage the functioning of the door of box gangways for superyachts. Its specific kinematics allows the 180° overturning of the door box, to be suitable for stairs with special profiles.

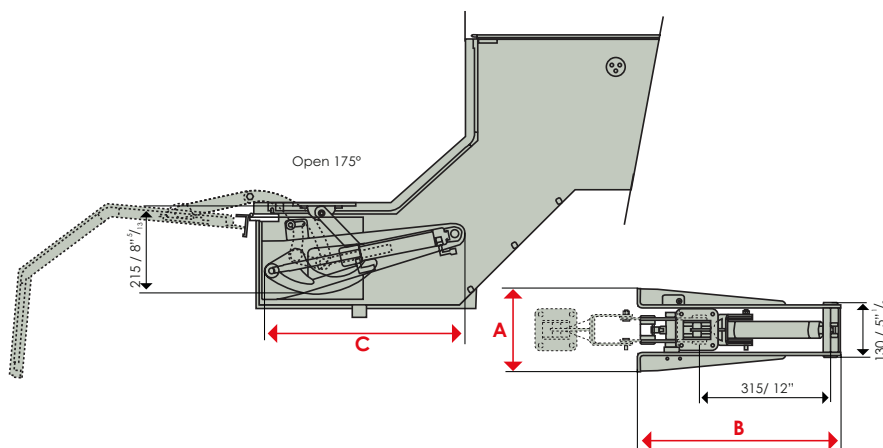
An additional cylinder assures box door watertightness.

Standard equipment

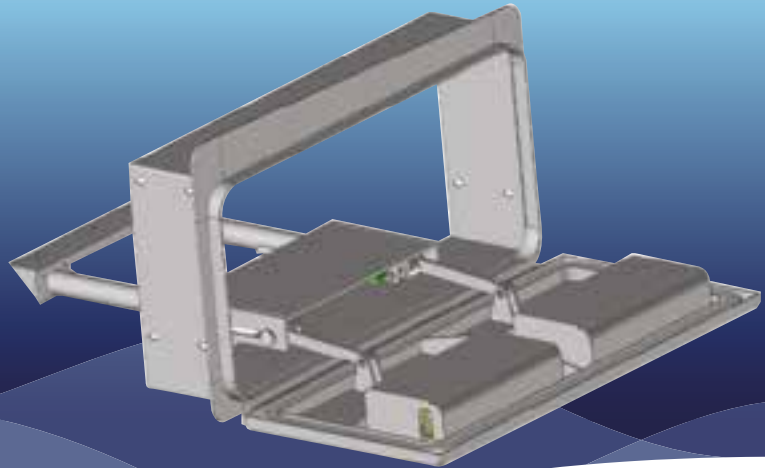
- Hinges made of polished AISi 316 stainless steel including hydraulic cylinders
- Beach stepladder made of polished AISi 316 stainless steel
- Hydraulic hoses

Options

- Electronic unit with control panel and remote control
- Hydraulic unit with emergency kit
- Additional cylinder for watertight closing



RETRACTABLE SLEWING GANGWAYS 2648 HYDRAULIC OPENING DEVICE



model	A (mm/inch)	B (mm/inch)	C (mm/inch)	D (mm/inch)	L (mm/inch)	α	$\alpha 1$
2648	630 24" 4/5	828 32" 3/5	579 22" 4/5	1101 43" 1/3	720 28" 1/3	99°	130°

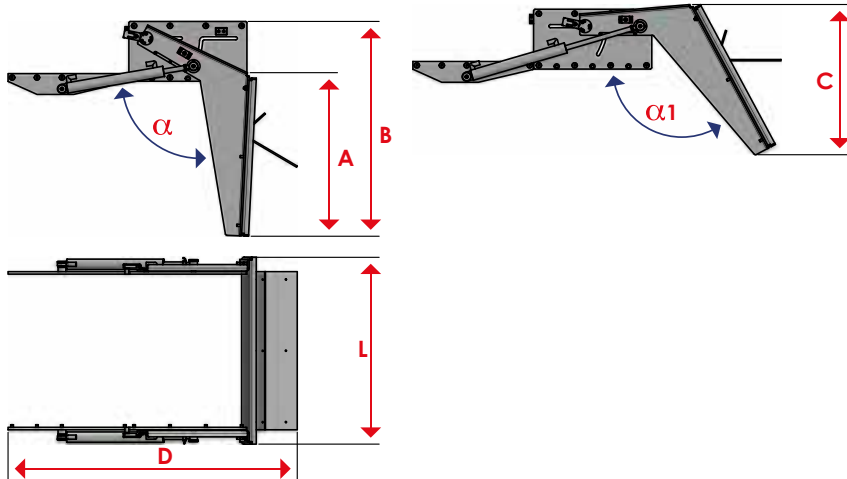
Opening of box gangway port managed by a hydraulic opening system. Its compact design makes watertightness possible with no box dimension increase.

Standard equipment

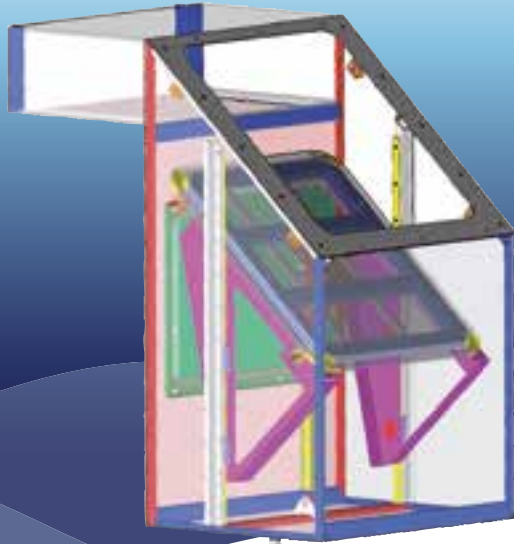
- Hinges made of polished AISi 316 stainless steel including hydraulic cylinders
- Hydraulic hoses

Options

- Electronic unit with control panel and remote control
- Hydraulic unit with emergency kit



RETRACTABLE SLEWING GANGWAYS 2649 HYDRAULIC OPENING DEVICE



model	A (mm/ inch)	B (mm/ inch)	C (mm/ inch)	D (mm/ inch)	E (mm/ inch)	F (mm/ inch)	G (mm/ inch)	H (mm/ inch)	K (mm/ inch)	L (mm/ inch)	M (mm/ inch)	N (mm/ inch)
2649	1344 53"	368 14" 1/2	560 22"	791 21"	421 16" 1/2	535 21"	880 36" 3/5	1350 53"	375 14" 3/4	914 36"	370 14" 1/2	1008 39" 3/5

Hydraulic opening device conceived to manage the operation of superyachts box gangway doors. Its specific kinematics allow the 180° overturning of the box door, and make it suitable for ladders with special profiles.

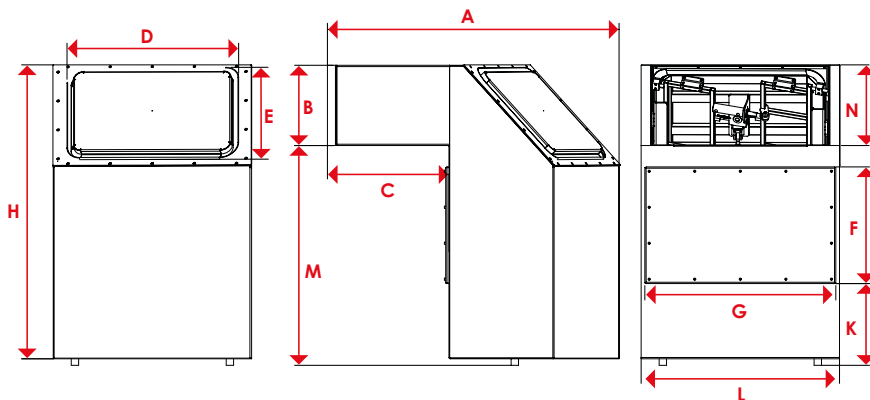
An additional cylinder assures box door watertightness.

Standard equipment

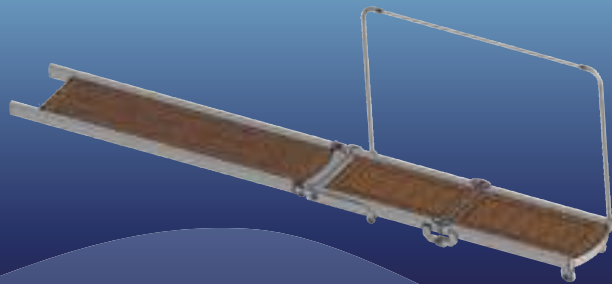
- Hinges made of polished AISi 316 stainless steel including hydraulic cylinders
- Beach stepladder made of polished AISi 316 stainless steel
- Hydraulic hoses

Options

- Electronic unit with control panel and remote control
- Hydraulic unit with emergency kit
- Additional cylinder for watertight closing

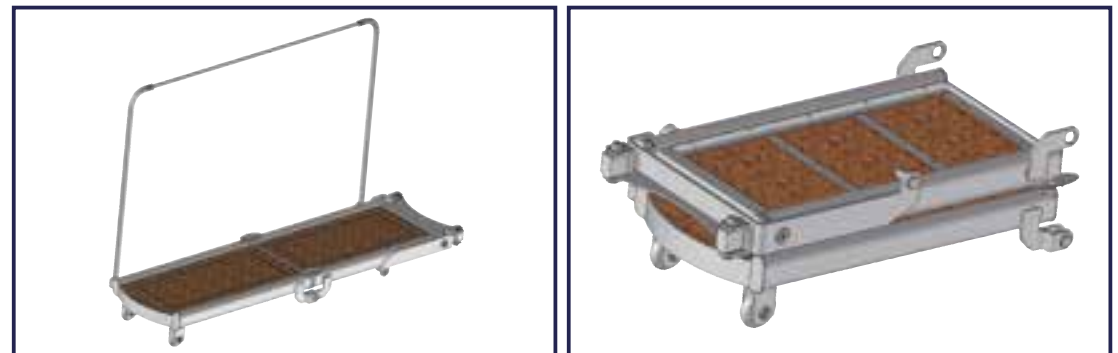
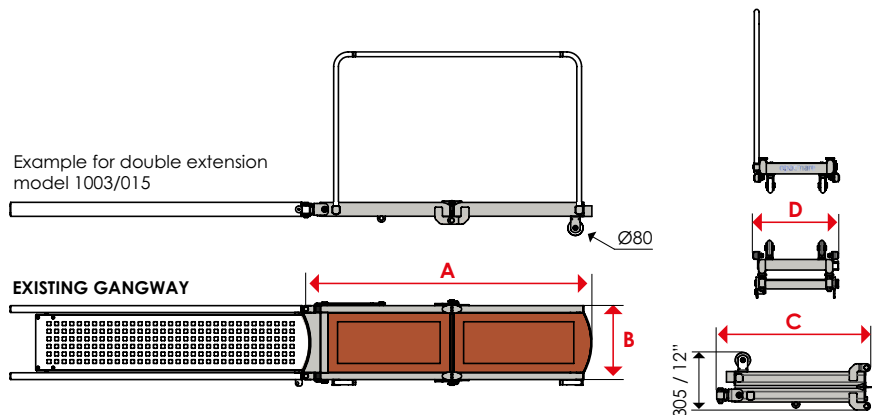


EXTENSIONS FOR GANGWAYS Double/015



model	A (mm/inch)	B (mm/inch)	C (mm/inch)	D (mm/inch)	BOX (mm/inch)	weight (kg/lbs)
1002	1505 59"	440 17"	805 32"	450 18"	590 23"	37 80
1003	1505 59"	390 15"	805 32"	450 18"	550 22"	35 75
1033	1505 59"	390 15"	805 32"	450 18"	550 22"	35 75
1103	1505 59"	390 15"	805 32"	450 18"	550 22"	35 75
1133	1505 59"	390 15"	805 32"	450 18"	550 22"	35 75

This gangway allows the boarding of 150 Kg / 330 lbs maximum (one person at a time). Extensions can be customized and adapted to any model of stainless steel gangway in Opacmare catalogue. EXTENSIONS MUST ALWAYS BE USED WHEN LEANING ON THE DOCK.



Архангельск (8182)63-90-72
 Астана (7172)727-132
 Астрахань (8512)99-46-04
 Барнаул (3852)73-04-60
 Белгород (4722)40-23-64
 Брянск (4832)59-03-52
 Владивосток (423)249-28-31
 Волгоград (844)278-03-48
 Вологда (8172)26-41-59
 Воронеж (473)204-51-73
 Екатеринбург (343)384-55-89
 Иваново (4932)77-34-06

Ижевск (3412)26-03-58
 Иркутск (395)279-98-46
 Казань (843)206-01-48
 Калининград (4012)72-03-81
 Калуга (4842)92-23-67
 Кемерово (3842)65-04-62
 Киров (8332)68-02-04
 Краснодар (861)203-40-90
 Красноярск (391)204-63-61
 Курск (4712)77-13-04
 Липецк (4742)52-20-81

Киргизия (996)312-96-26-47

Магнитогорск (3519)55-03-13
 Москва (495)268-04-70
 Мурманск (8152)59-64-93
 Набережные Челны (8552)20-53-41
 Нижний Новгород (831)429-08-12
 Новокузнецк (3843)20-46-81
 Новосибирск (383)227-86-73
 Омск (3812)21-46-40
 Орел (4862)44-53-42
 Оренбург (3532)37-68-04
 Пенза (8412)22-31-16

Россия (495)268-04-70

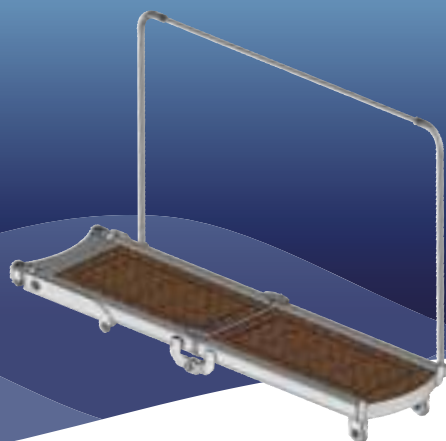
Пермь (342)205-81-47
 Ростов-на-Дону (863)308-18-15
 Рязань (4912)46-61-64
 Самара (846)206-03-16
 Санкт-Петербург (812)309-46-40
 Саратов (845)249-38-78
 Севастополь (8692)22-31-93
 Симферополь (3652)67-13-56
 Смоленск (4812)29-41-54
 Сочи (862)225-72-31
 Ставрополь (8652)20-65-13

Казахстан (772)734-952-31

Сургут (3462)77-98-35
 Тверь (4822)63-31-35
 Томск (3822)98-41-53
 Тула (4872)74-02-29
 Тюмень (3452)66-21-18
 Ульяновск (8422)24-23-59
 Уфа (347)229-48-12
 Хабаровск (4212)92-98-04
 Челябинск (351)202-03-61
 Череповец (8202)49-02-64
 Ярославль (4852)69-52-93

<https://opacmare.nt-rt.ru/> || omp@nt-rt.ru

EXTENSIONS FOR GANGWAYS Single/08



model	A (mm/inch)	B (mm/inch)	D (mm/inch)	BOX (mm/inch)	weight (kg/lbs)
1002	820 32"	390 15"	450 18"	590 23"	21 45
1003	820 32"	390 15"	450 18"	550 22"	21 45
1033	820 32"	390 15"	450 18"	550 22"	21 45
1103	820 32"	390 15"	450 18"	550 22"	21 45
1133	820 32"	390 15"	450 18"	550 22"	21 45

This gangway allows the boarding of 150 Kg / 330 lbs maximum (one person at a time).
 Extensions can be customized and adapted to any model of stainless steel gangway in Opacmare catalogue.

EXTENSIONS MUST ALWAYS BE USED WHEN LEANING ON THE DOCK.
 DOUBLE EXTENSIONS Please refer to the following page.

