

Архангельск (8182)63-90-72
 Астана (7172)727-132
 Астрахань (8512)99-46-04
 Барнаул (3852)73-04-60
 Белгород (4722)40-23-64
 Брянск (4832)59-03-52
 Владивосток (423)249-28-31
 Волгоград (844)278-03-48
 Вологда (8172)26-41-59
 Воронеж (473)204-51-73
 Екатеринбург (343)384-55-89
 Иваново (4932)77-34-06

Ижевск (3412)26-03-58
 Иркутск (395)279-98-46
 Казань (843)206-01-48
 Калининград (4012)72-03-81
 Калуга (4842)92-23-67
 Кемерово (3842)65-04-62
 Киров (8332)68-02-04
 Краснодар (861)203-40-90
 Красноярск (391)204-63-61
 Курск (4712)77-13-04
 Липецк (4742)52-20-81

Магнитогорск (3519)55-03-13
 Москва (495)268-04-70
 Мурманск (8152)59-64-93
 Набережные Челны (8552)20-53-41
 Нижний Новгород (831)429-08-12
 Новокузнецк (3843)20-46-81
 Новосибирск (383)227-86-73
 Омск (3812)21-46-40
 Орел (4862)44-53-42
 Оренбург (3532)37-68-04
 Пенза (8412)22-31-16

Пермь (342)205-81-47
 Ростов-на-Дону (863)308-18-15
 Рязань (4912)46-61-64
 Самара (846)206-03-16
 Санкт-Петербург (812)309-46-40
 Саратов (845)249-38-78
 Севастополь (8692)22-31-93
 Симферополь (3652)67-13-56
 Смоленск (4812)29-41-54
 Сочи (862)225-72-31
 Ставрополь (8652)20-65-13

Сургут (3462)77-98-35
 Тверь (4822)63-31-35
 Томск (3822)98-41-53
 Тула (4872)74-02-29
 Тюмень (3452)66-21-18
 Ульяновск (8422)24-23-59
 Уфа (347)229-48-12
 Хабаровск (4212)92-98-04
 Челябинск (351)202-03-61
 Череповец (8202)49-02-64
 Ярославль (4852)69-52-93

Киргизия (996)312-96-26-47

Россия (495)268-04-70

Казахстан (772)734-952-31

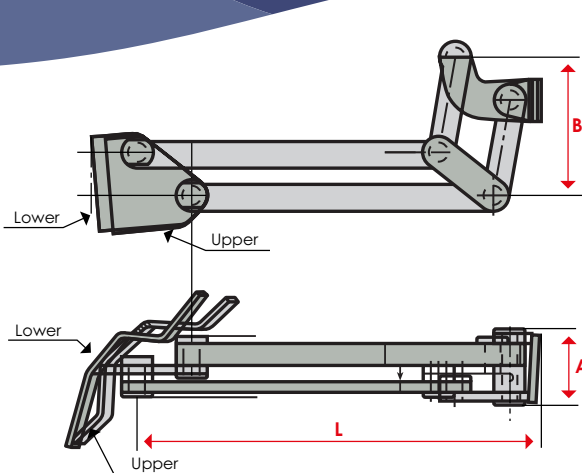
<https://opacmare.nt-rt.ru/> || omp@nt-rt.ru

PANTOGRAPH OPENING SYSTEM 7470/7471.10 Dx/7471.11 Sx

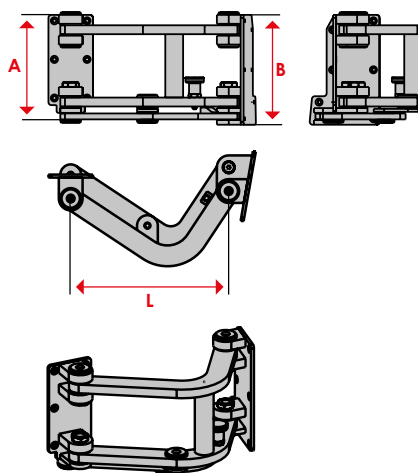


model	L (mm/inch)	A (mm/inch)	B (mm/inch)
7470	383.5 15"	72 2"10/13	130.6 5"1/9
7471.10/11	266 10"1/2	176 7"	185 7"1/3

The dimensions on drawings are provided for information purposes only.



Model 7470



Opening 90°

Model 7471.10 DX/7471.11 Sx



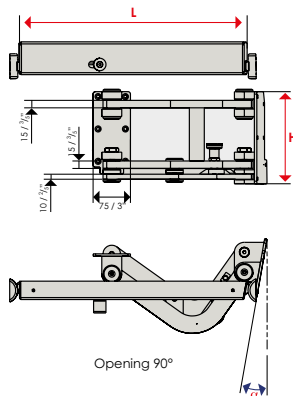
PANTOGRAPH OPENING SYSTEM 7471.12 Dx/7471.13 Sx/7471.00



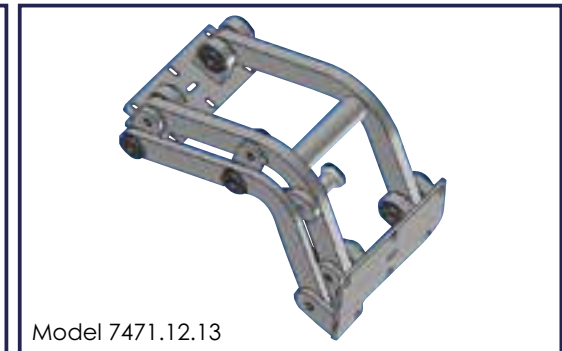
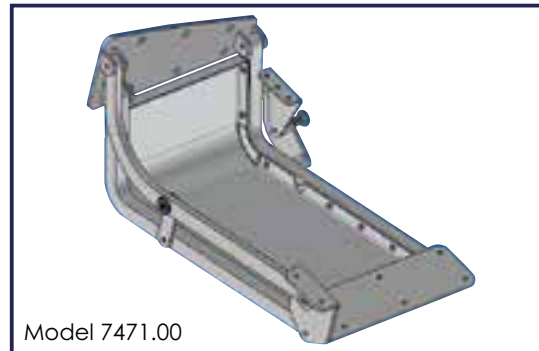
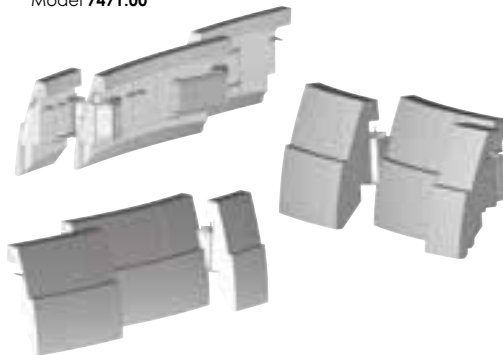
model	L (mm/inch)	H (mm/inch)	α
7471.12/7471.13/7471.00	458 18"	185 7 1/4"	10°

The dimensions on drawings are provided for information purposes only.

Model 7471.12 Dx/7471.13 Sx

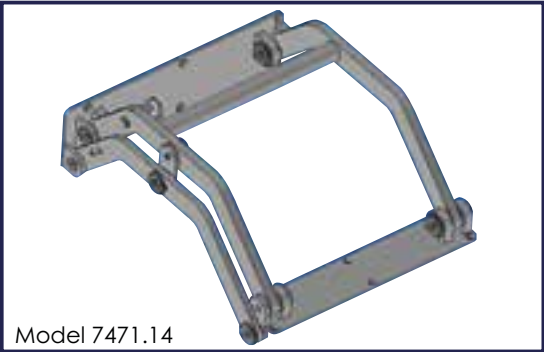
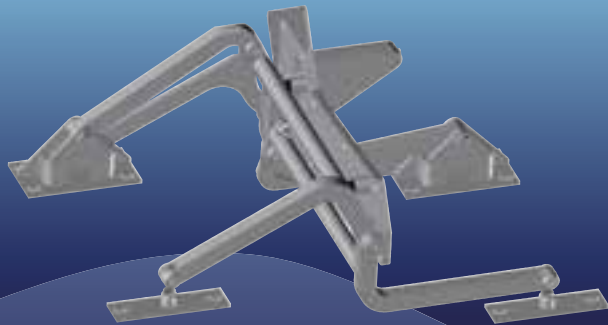


Model 7471.00

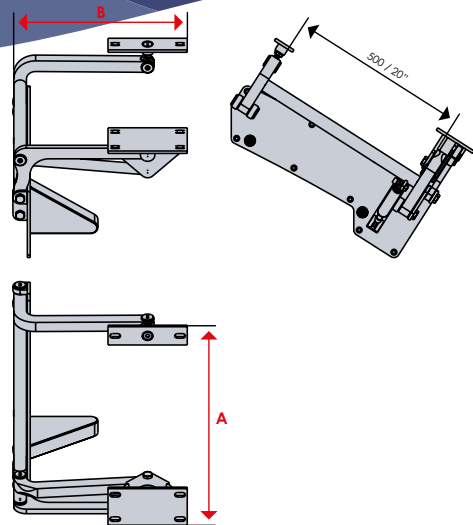


PANTOGRAPH OPENING SYSTEM 7471.04 Dx / 7471.05 Sx / 7471.14

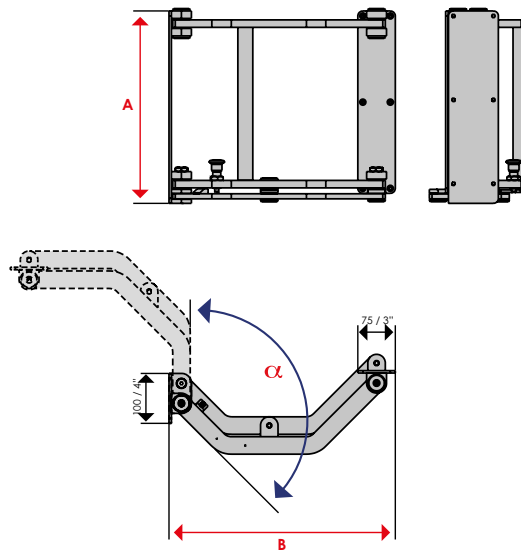
model	A (mm/inch)	B (mm/inch)	α
7471.04/7471.05	550 22"	485 19"	
7471.14	385 15"	453 18"	135°



Model 7471.04 Dx/7471.05 Sx



Model 7471.14

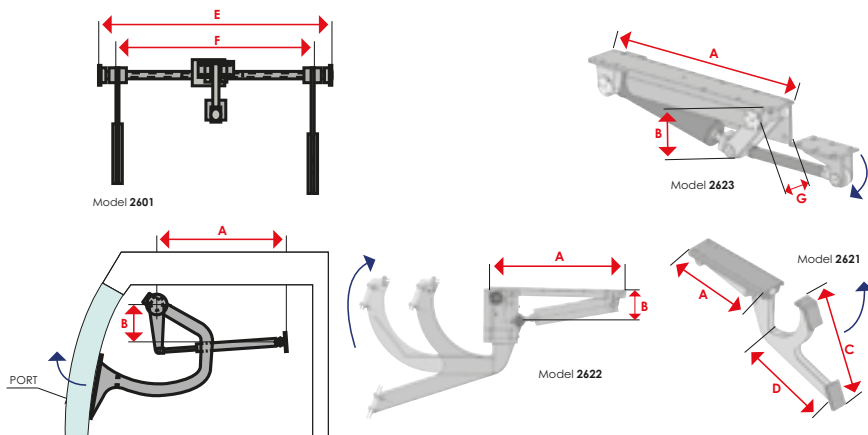


GARAGE OPENING SYSTEM 2601/2621/2622/2623



model	A (mm/inch)	B (mm/inch)	C (mm/inch)	D (mm/inch)	E (mm/inch)	F (mm/inch)	G (mm/inch)
2601	690 27"	200 8"	- -	- -	1350 53"	1100 43"	- -
2621	550 22"	- -	630 25"	550 22"	- -	- -	- -
2622	600 24"	146 5"6/9	- -	- -	- -	- -	- -
2623	710 28"	195 7"9/13	- -	- -	- -	- -	129 5"7/13

The dimensions on drawings are provided for information purposes only.



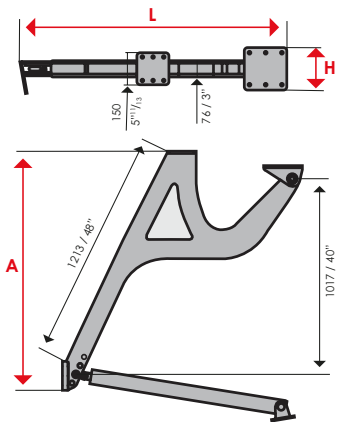
GARAGE OPENING SYSTEM 2625/2627



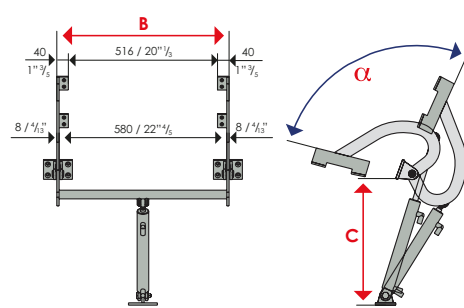
model	L (mm/inch)	A (mm/inch)	B (mm/inch)	C (mm/inch)	H (mm/inch)	α
2625	1246 49"	1243 49"	- -	- -	200 7"9/11	-
2627	- -	- -	596 23"1/2	438 17"1/4	- -	100°

The dimensions on drawings are provided for information purposes only.

Model 2625

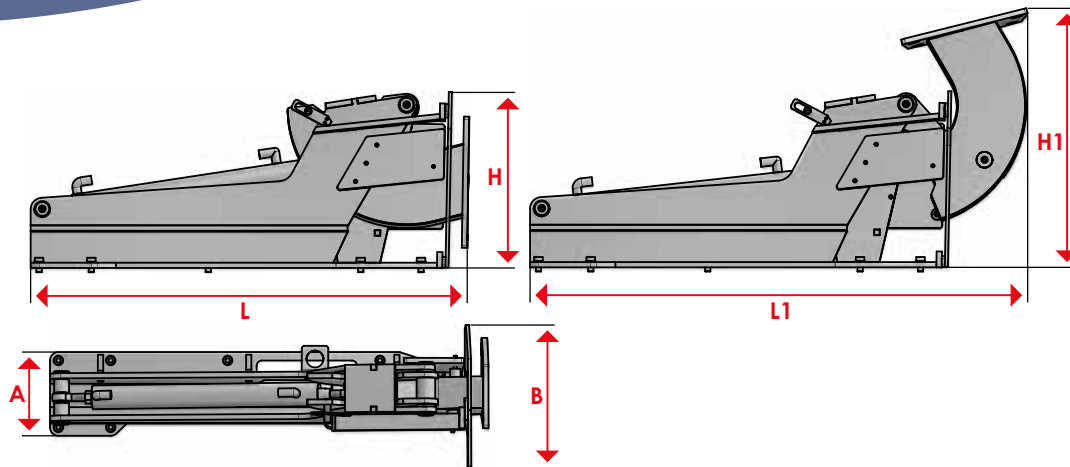
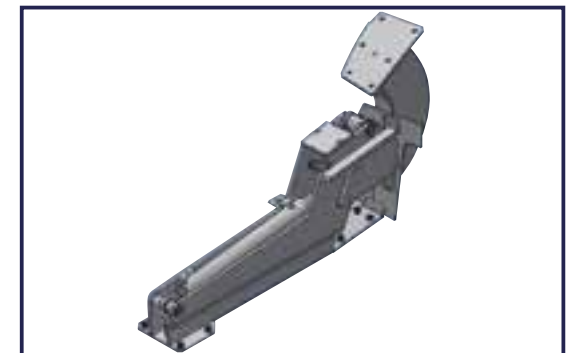
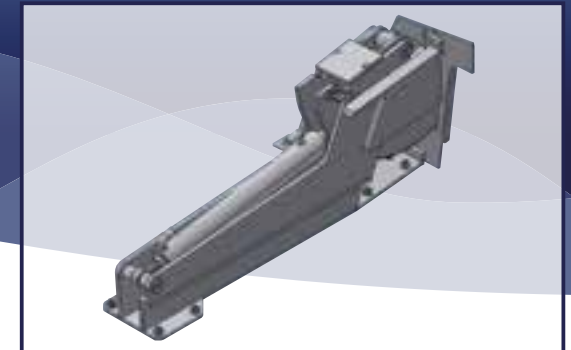
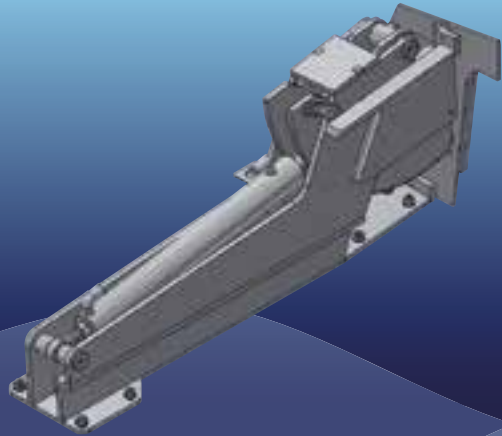


Model 2627



PANTOGRAPH OPENING SYSTEM 7478

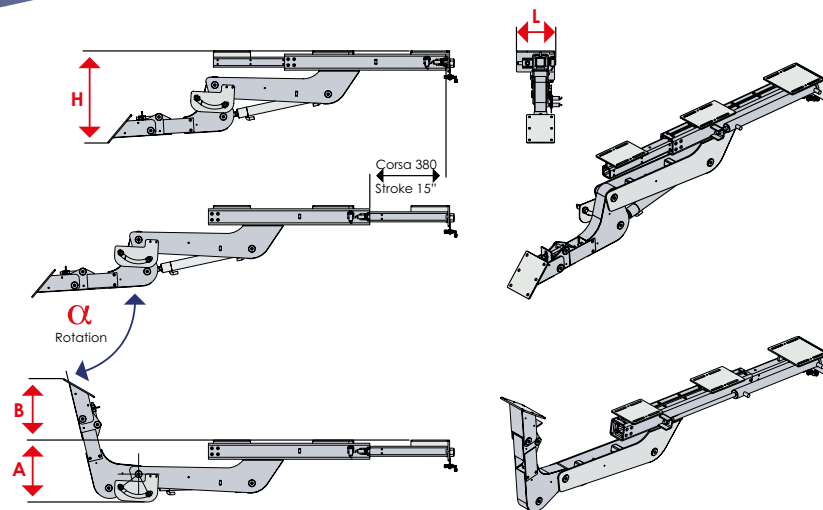
model	A (mm/inch)	B (mm/inch)	H (mm/inch)	H1 (mm/inch)	L (mm/inch)	L1 (mm/inch)
7478	159 6" 1/4	269 10" 3/5	332 13"	489 19" 1/4	825 32" 1/2	940 37"



GARAGE OPENING SYSTEM 2650



model	L (mm/inch)	A (mm/inch)	B (mm/inch)	H (mm/inch)	α
2650	196 7"2/3	309 12"1/6	306 12"	460 18"	80°

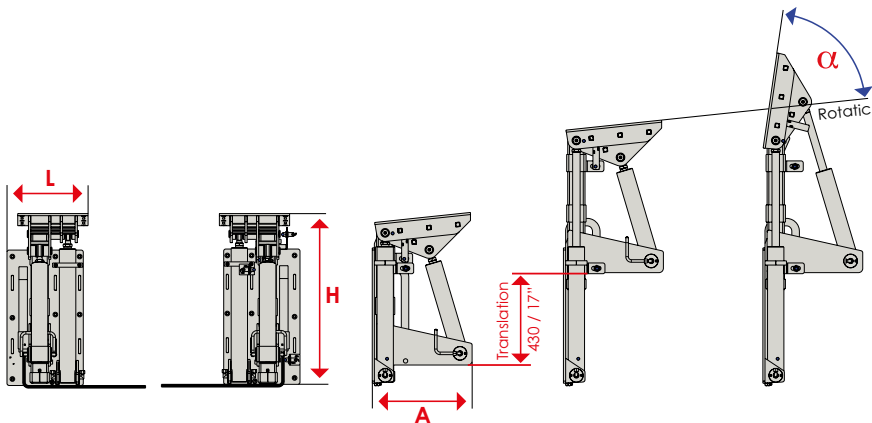


GARAGE OPENING SYSTEM FOR MEGAYATCH 2652

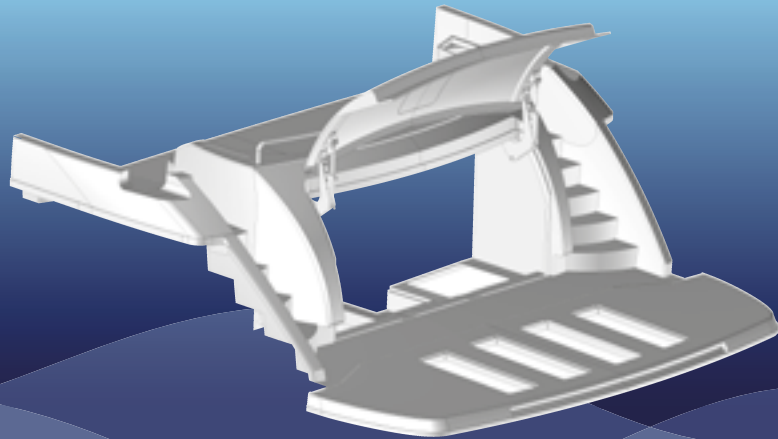


model	L (mm/inch)	A (mm/inch)	H (mm/inch)	α
2652	375 16"	465 18"	800 32"	76,7°

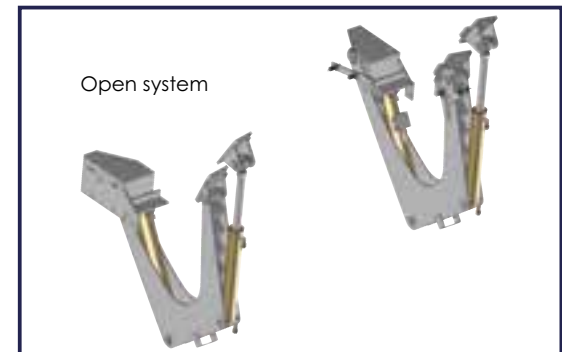
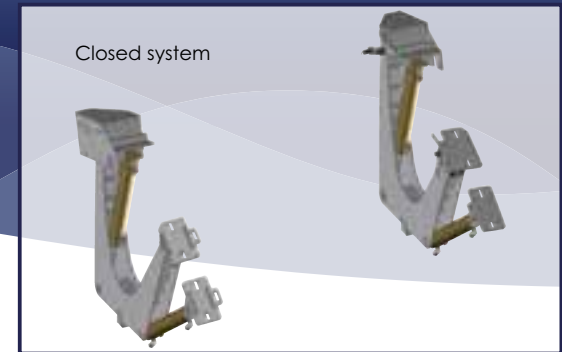
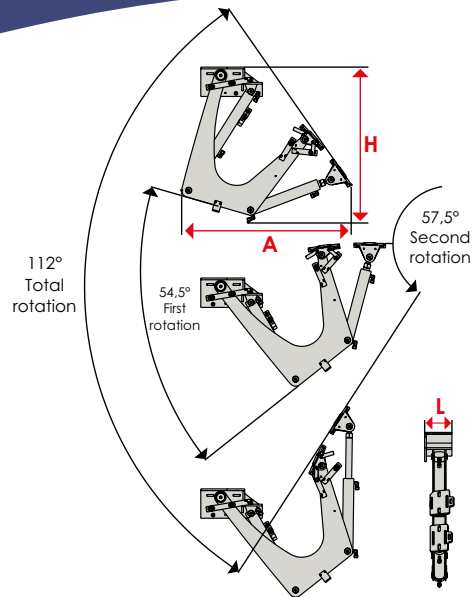
Stern opening system.



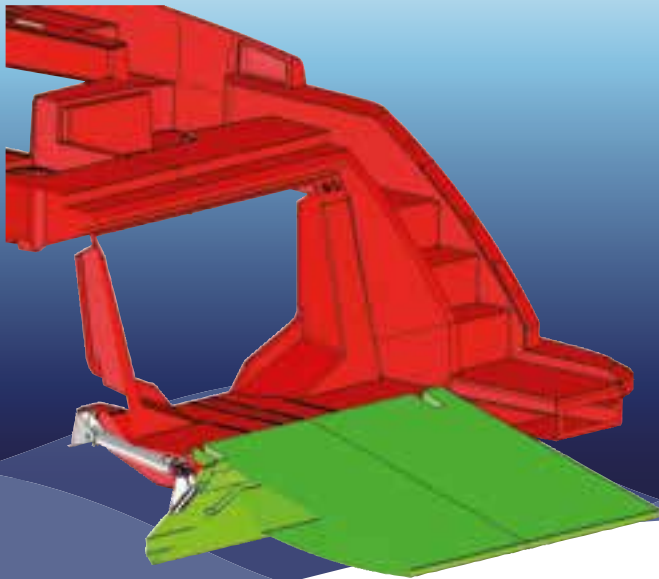
GARAGE OPENING SYSTEM 2651



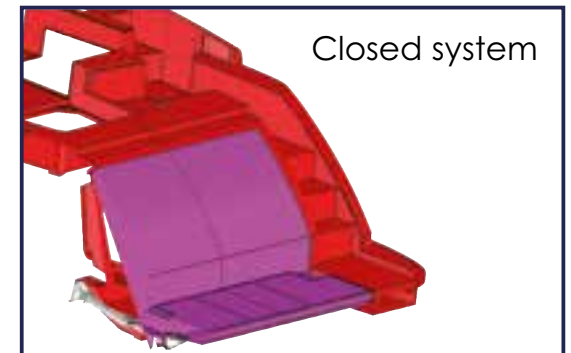
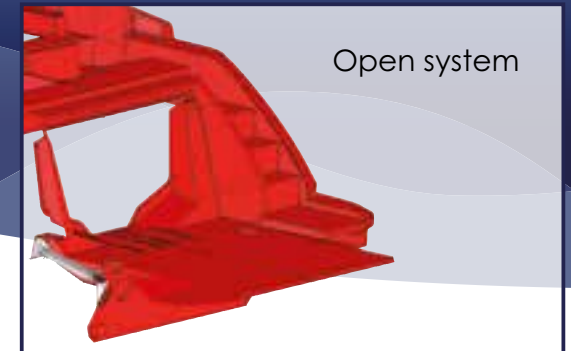
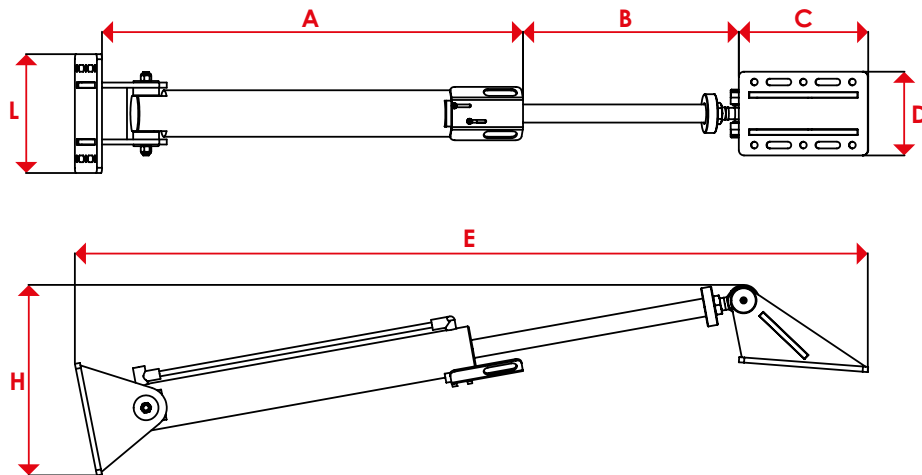
model	L (mm/inch)	A (mm/inch)	H (mm/inch)
2651	155 6"	965 38"	880 35"



GARAGE OPENING SYSTEM 2661



model	A (mm/inch)	B (mm/inch)	C (mm/inch)	D (mm/inch)	E (mm/inch)	H (mm/inch)	L (mm/inch)
2661	814 32"	417 16" 2/5	250 10"	162 6" 1/3	1533 60" 1/3	368 14" 1/2	230 9"

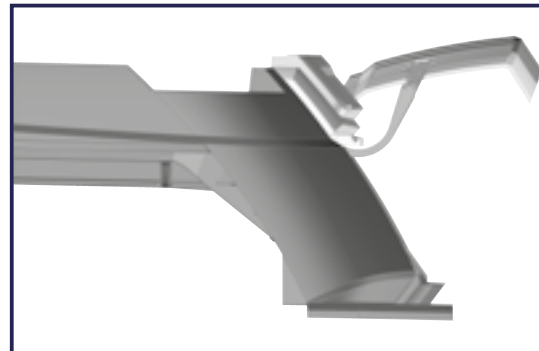
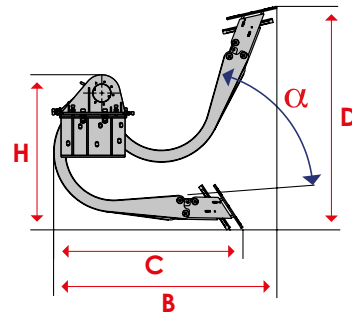
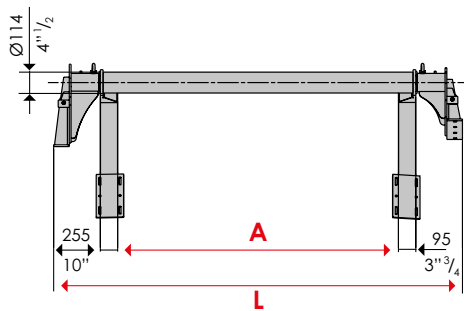


GARAGE OPENING SYSTEM 2680.01

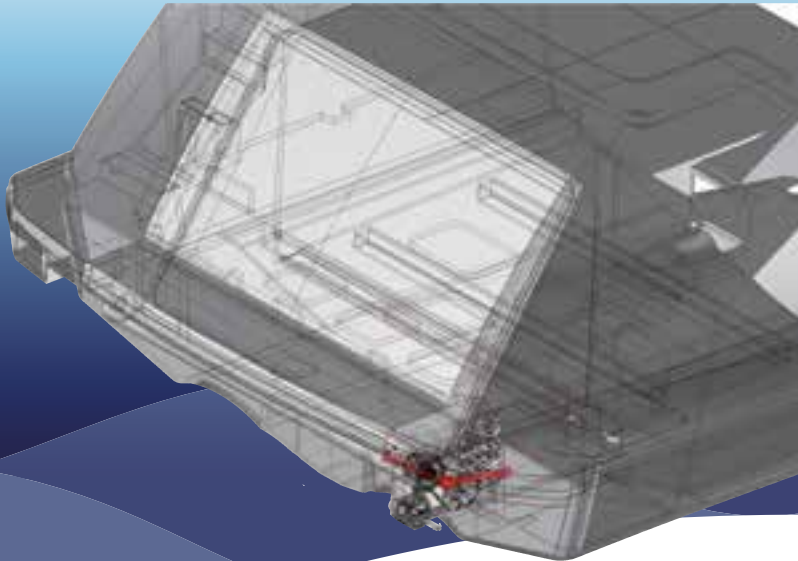


model	L (mm/inch)	A (mm/inch)	B (mm/inch)	C (mm/inch)	D (mm/inch)	H (mm/inch)	α
2680.01	2234 88"	1534 60"	1220 48"	1035 41"	1222 48"	848 33"	70°

Example of movement by means of pantograph arms and hydraulic ram.

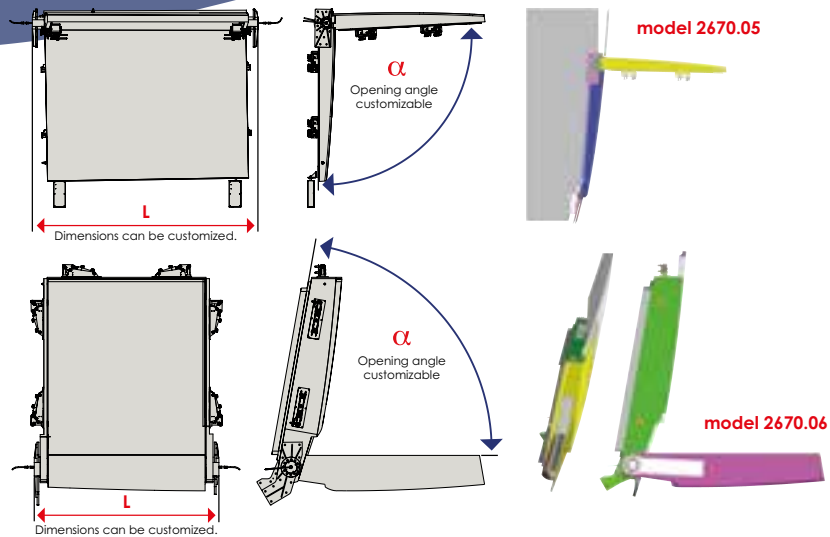


GARAGE DOOR WITH HYDRAULIC ACTUATORS 2670



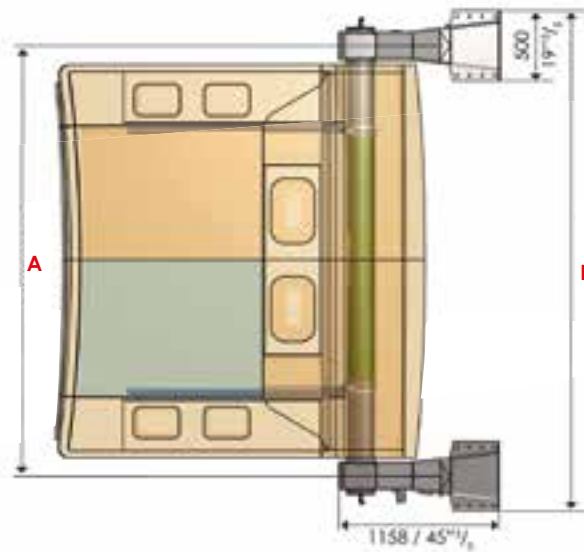
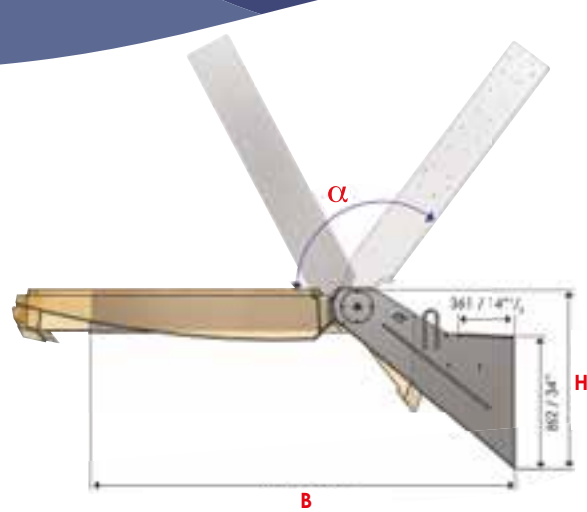
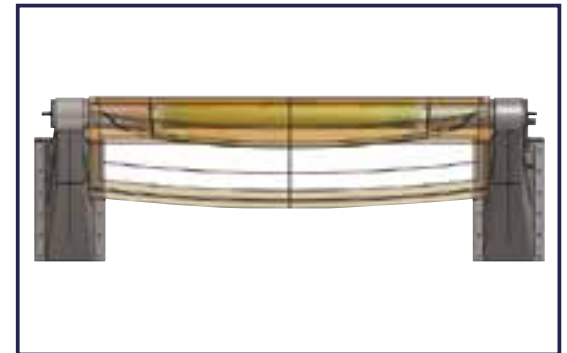
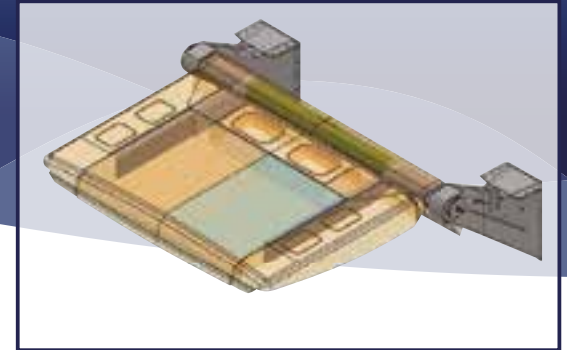
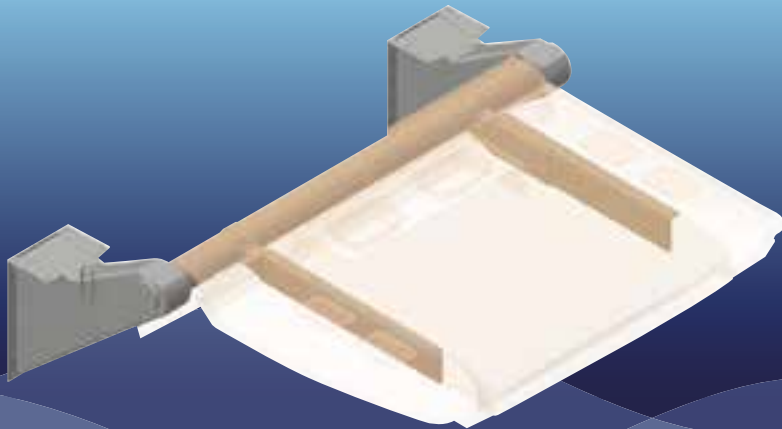
model	L (mm/inch)	α
2670.05	2960 117"	93°
2670.06	2130 84"	80°

Garage door opening system opening downwards and moved by hydraulic actuators.

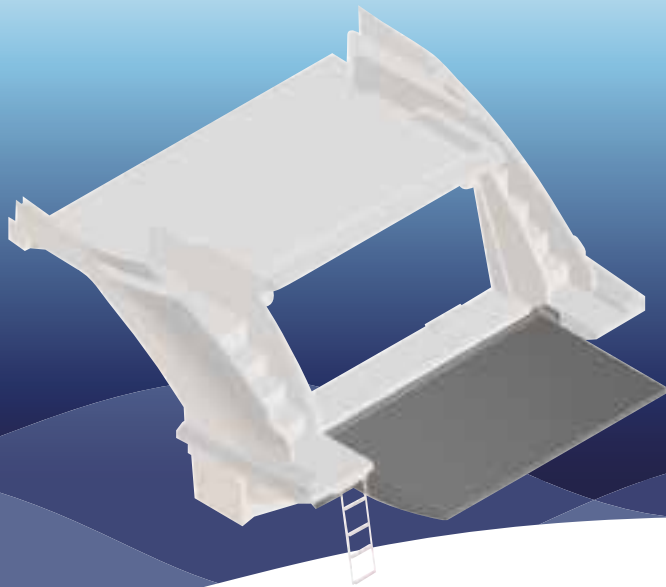


GARAGE DOOR WITH HYDRAULIC ACTUATORS 2670.08

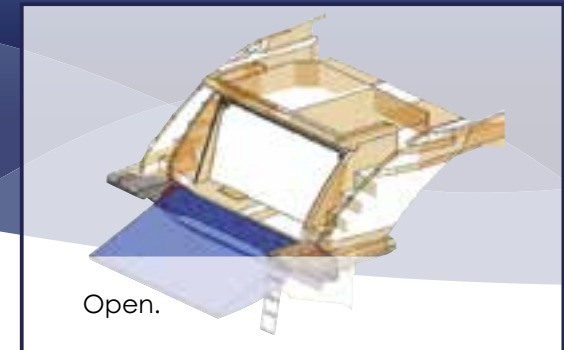
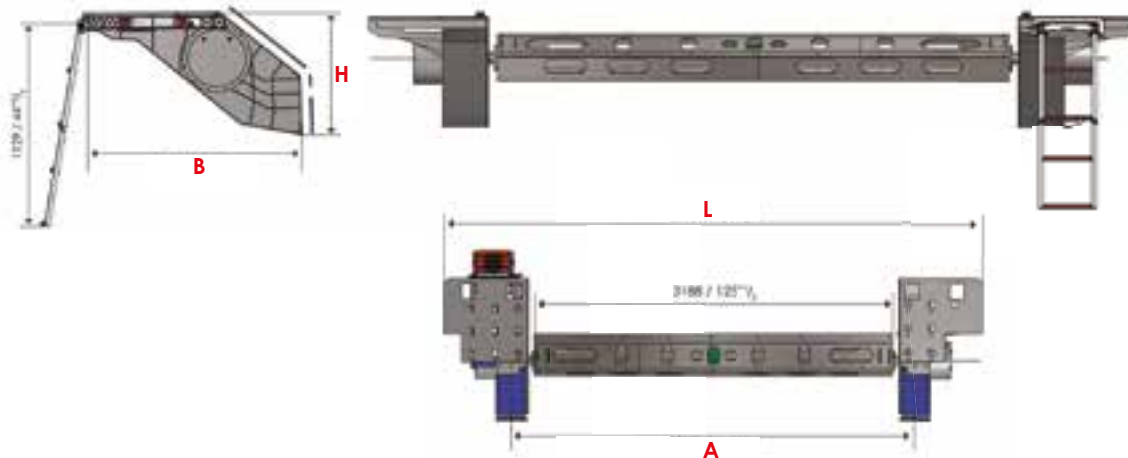
model	L (mm/inch)	A (mm/inch)	B (mm/inch)	H (mm/inch)	α
2670.08	3598 141"3/5	3098 122"	2689 106"1/5	1153 45"2/5	127°



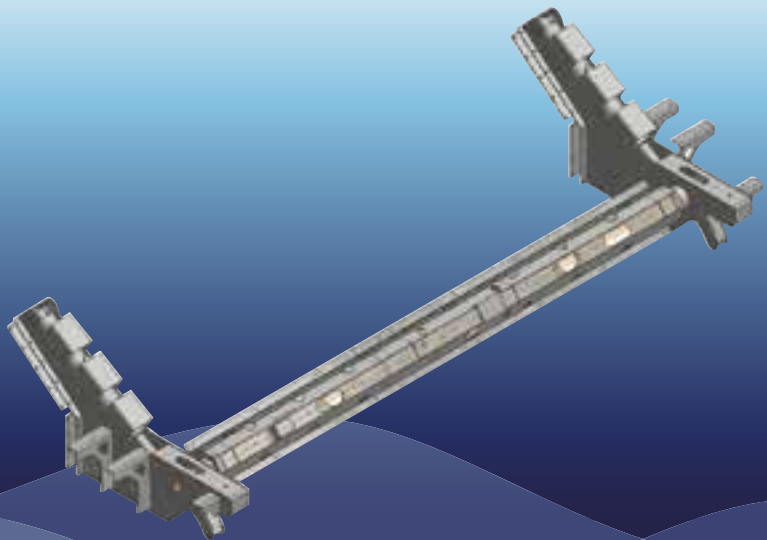
GARAGE DOOR WITH HYDRAULIC ACTUATORS 2670.09



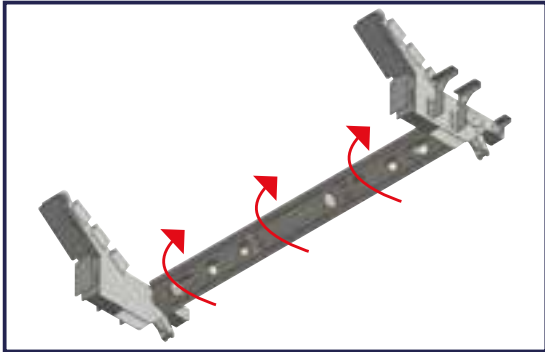
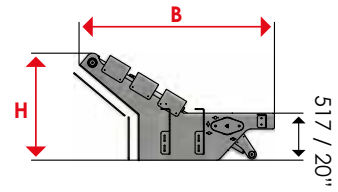
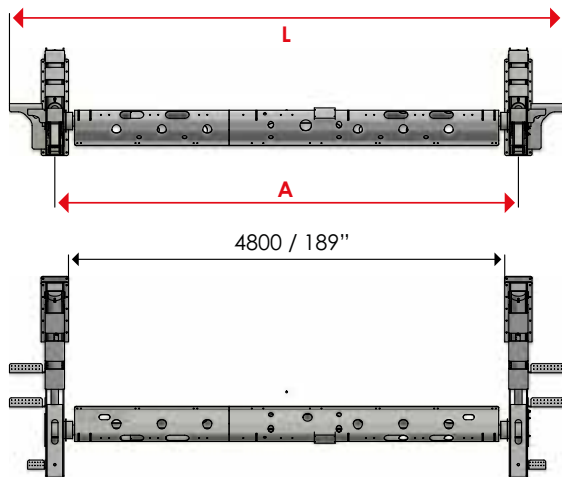
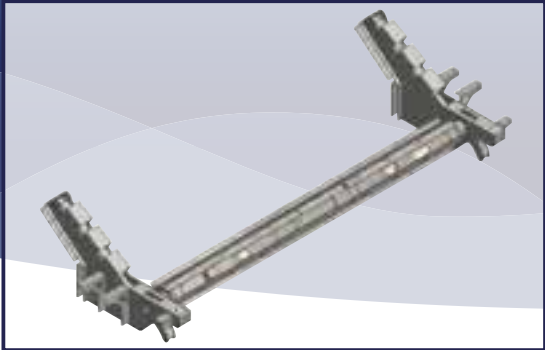
model	L (mm/inch)	A (mm/inch)	B (mm/inch)	H (mm/inch)
2670.09	4788 188"1/2	3593 141"1/2	2689 106"1/5	695 27"2/5



GARAGE DOOR WITH HYDRAULIC ACTUATORS 2690



model	A (mm/inch)	L (mm/inch)	B (mm/inch)	H (mm/inch)
2690	5102 201"	6102 240"	2151 85"	1178 46"



Архангельск (8182)63-90-72
 Астана (7172)727-132
 Астрахань (8512)99-46-04
 Барнаул (3852)73-04-60
 Белгород (4722)40-23-64
 Брянск (4832)59-03-52
 Владивосток (423)249-28-31
 Волгоград (844)278-03-48
 Вологда (8172)26-41-59
 Воронеж (473)204-51-73
 Екатеринбург (343)384-55-89
 Иваново (4932)77-34-06

Ижевск (3412)26-03-58
 Иркутск (395)279-98-46
 Казань (843)206-01-48
 Калининград (4012)72-03-81
 Калуга (4842)92-23-67
 Кемерово (3842)65-04-62
 Киров (8332)68-02-04
 Краснодар (861)203-40-90
 Красноярск (391)204-63-61
 Курск (4712)77-13-04
 Липецк (4742)52-20-81

Киргизия (996)312-96-26-47

Магнитогорск (3519)55-03-13
 Москва (495)268-04-70
 Мурманск (8152)59-64-93
 Набережные Челны (8552)20-53-41
 Нижний Новгород (831)429-08-12
 Новокузнецк (3843)20-46-81
 Новосибирск (383)227-86-73
 Омск (3812)21-46-40
 Орел (4862)44-53-42
 Оренбург (3532)37-68-04
 Пенза (8412)22-31-16

Россия (495)268-04-70

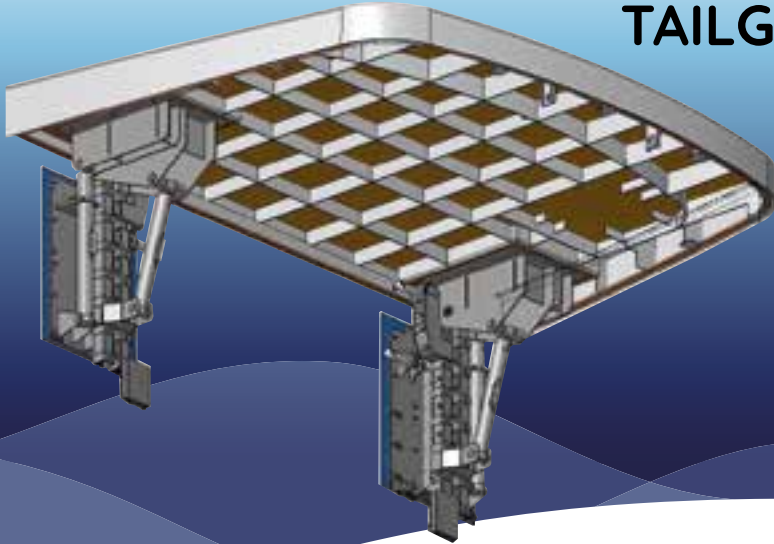
Пермь (342)205-81-47
 Ростов-на-Дону (863)308-18-15
 Рязань (4912)46-61-64
 Самара (846)206-03-16
 Санкт-Петербург (812)309-46-40
 Саратов (845)249-38-78
 Севастополь (8692)22-31-93
 Симферополь (3652)67-13-56
 Смоленск (4812)29-41-54
 Сочи (862)225-72-31
 Ставрополь (8652)20-65-13

Казахстан (772)734-952-31

Сургут (3462)77-98-35
 Тверь (4822)63-31-35
 Томск (3822)98-41-53
 Тула (4872)74-02-29
 Тюмень (3452)66-21-18
 Ульяновск (8422)24-23-59
 Уфа (347)229-48-12
 Хабаровск (4212)92-98-04
 Челябинск (351)202-03-61
 Череповец (8202)49-02-64
 Ярославль (4852)69-52-93

<https://opacmare.nt-rt.ru/> || omp@nt-rt.ru

TAILGATE FOR MEGAYATCH 5500.01



model	L (mm/inch)	A (mm/inch)	B (mm/inch)	C (mm/inch)	H (mm/inch)
5500.01	4320 170"	4944 194"3/5	3375 132"4/5	5387 212"	2072 81"3/5

This model is made of aluminum and suitable for large yachts.
 The tailgate is designed according to ship's design and customer requirement.
 The completely watertight version is available upon request.

