

Архангельск (8182)63-90-72
 Астана (7172)727-132
 Астрахань (8512)99-46-04
 Барнаул (3852)73-04-60
 Белгород (4722)40-23-64
 Брянск (4832)59-03-52
 Владивосток (423)249-28-31
 Волгоград (844)278-03-48
 Вологда (8172)26-41-59
 Воронеж (473)204-51-73
 Екатеринбург (343)384-55-89
 Иваново (4932)77-34-06

Ижевск (3412)26-03-58
 Иркутск (395)279-98-46
 Казань (843)206-01-48
 Калининград (4012)72-03-81
 Калуга (4842)92-23-67
 Кемерово (3842)65-04-62
 Киров (8332)68-02-04
 Краснодар (861)203-40-90
 Красноярск (391)204-63-61
 Курск (4712)77-13-04
 Липецк (4742)52-20-81

Магнитогорск (3519)55-03-13
 Москва (495)268-04-70
 Мурманск (8152)59-64-93
 Набережные Челны (8552)20-53-41
 Нижний Новгород (831)429-08-12
 Новокузнецк (3843)20-46-81
 Новосибирск (383)227-86-73
 Омск (3812)21-46-40
 Орел (4862)44-53-42
 Оренбург (3532)37-68-04
 Пенза (8412)22-31-16

Пермь (342)205-81-47
 Ростов-на-Дону (863)308-18-15
 Рязань (4912)46-61-64
 Самара (846)206-03-16
 Санкт-Петербург (812)309-46-40
 Саратов (845)249-38-78
 Севастополь (8692)22-31-93
 Симферополь (3652)67-13-56
 Смоленск (4812)29-41-54
 Сочи (862)225-72-31
 Ставрополь (8652)20-65-13

Сургут (3462)77-98-35
 Тверь (4822)63-31-35
 Томск (3822)98-41-53
 Тула (4872)74-02-29
 Тюмень (3452)66-21-18
 Ульяновск (8422)24-23-59
 Уфа (347)229-48-12
 Хабаровск (4212)92-98-04
 Челябинск (351)202-03-61
 Череповец (8202)49-02-64
 Ярославль (4852)69-52-93

Киргизия (996)312-96-26-47

Россия (495)268-04-70

Казахстан (772)734-952-31

<https://opacmare.nt-rt.ru/> || omp@nt-rt.ru

MANUAL 6691



model	A (mm/inch)	B (mm/inch)	C (mm/inch)	D (mm/inch)
6691	770 30"2/5	592 23"2/5	Ø460	530 20"4/5

MANUAL SEAT PEDESTAL BASE.

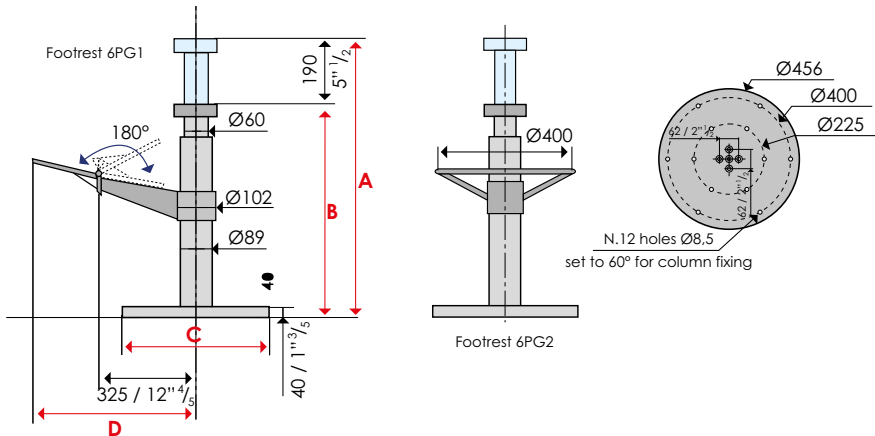
Polished Aisi 316L stainless steel structure.

Rotation 360°, adjustable in height, manually or by means of gas rams with manual block. Available with ram extension, customized (OPTIONAL) or in the non-adjustable simplified version.

NOTE: Cylinder shaped base fitting with 12 screws fully concealed.

The fastening screws (countersunk M8) are not included in the base.

For possible matches refer to the following page.



MANUAL 6692



model	A (mm/inch)	B (mm/inch)	C (mm/inch)	D (mm/inch)
6692	770 30"2/5	592 23"2/5	Ø460	530 20"4/5

MANUAL SEAT PEDESTAL BASE.

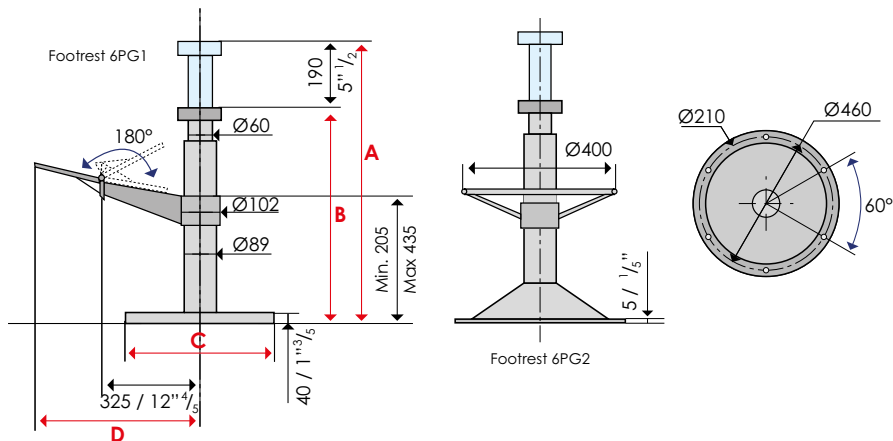
Polished Aisi 316L stainless steel structure.

Rotation 360°, adjustable in height, manually or by means of gas rams with manual block. Available with ram extension, customized (OPTIONAL) or in the non-adjustable simplified version.

NOTE: Fixing through 6 visible screws for the truncated base.

The fastening screws (countersunk M8) are not included in the base.

For possible matches refer to the following page.

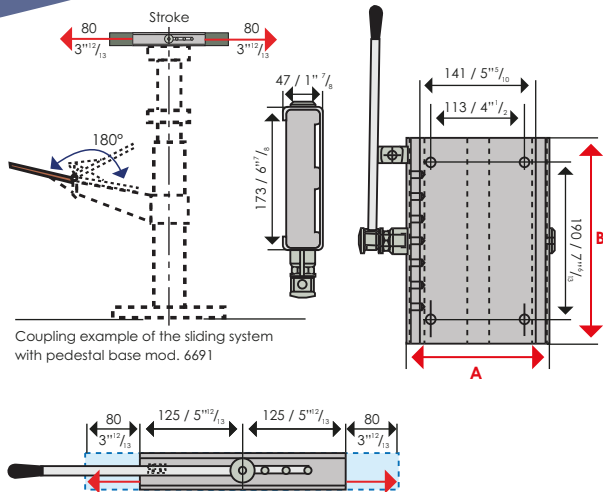


MANUAL SLIDING 6640 - 6642



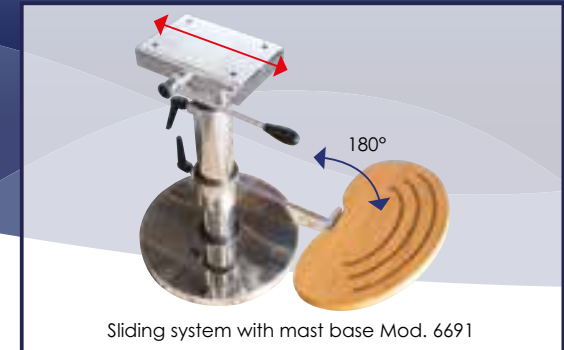
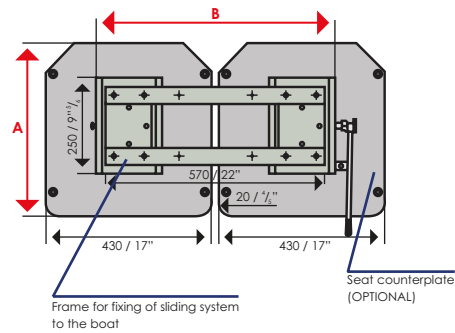
model	A (mm/inch)	B (mm/inch)
6640	173 6"7/8	250 9"5/6
6642	450 18"	620 24"

Single sliding system for bench 6640.

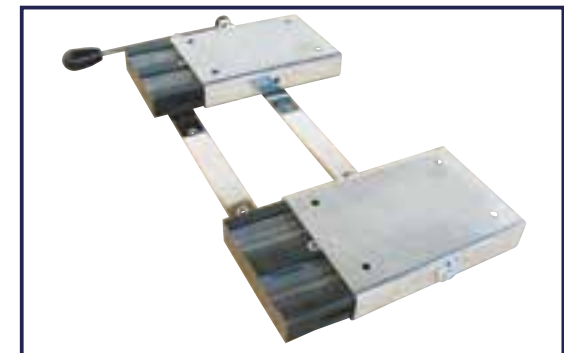


Coupling example of the sliding system with pedestal base mod. 6691

Double sliding system for bench 6642.

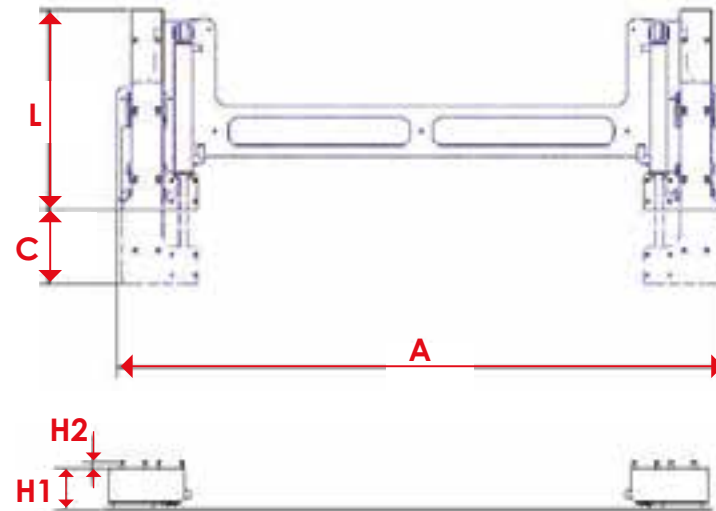
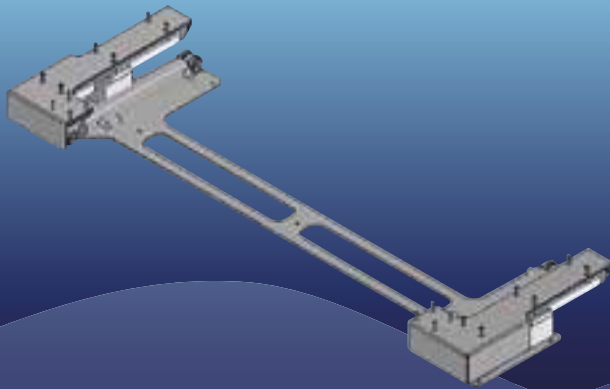


Sliding system with mast base Mod. 6691



MANUAL SLIDING 6652

model	A (mm/inch)	C (mm/inch)	H1 (mm/inch)	H2 (mm/inch)	L (mm/inch)
6652	1324 512" 1/5	160 6" 3/10	90 3" 1/2	19 3/4"	437 17" 1/5

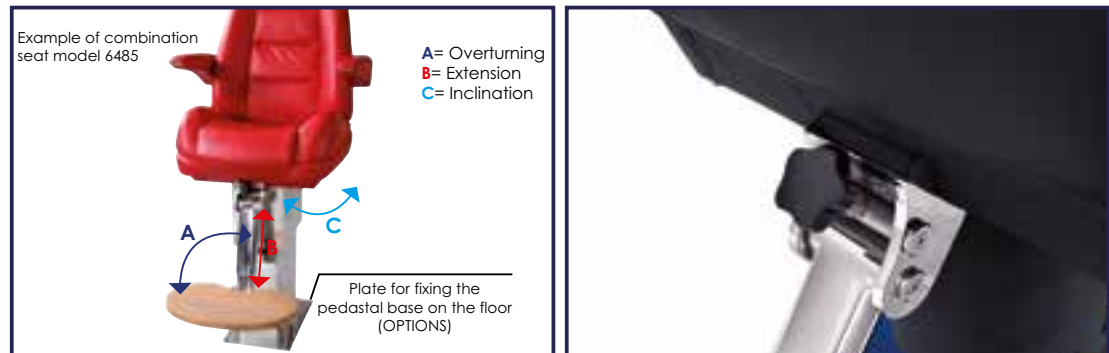
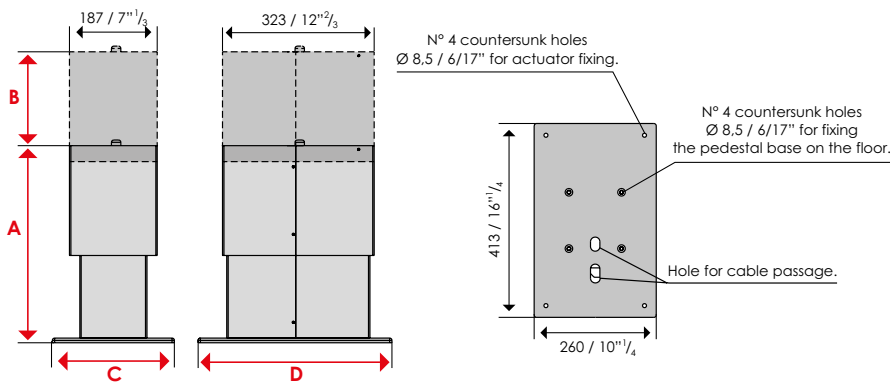


AUTOMATIC 6697



model	A (mm/inch)	B (mm/inch)	C (mm/inch)	D (mm/inch)
6697	420 16" 1/2	200 8"	260 10" 1/4	413 16" 1/4

Rectangular automatic base made of polished stainless steel.
POWER SUPPLY 24 V.



AUTOMATIC 6698



model	A (mm/inch)	B (mm/inch)	C (mm/inch)	D (mm/inch)
6698	600 24"	276 10"6/7	275 10"7/9	159 6"1/4

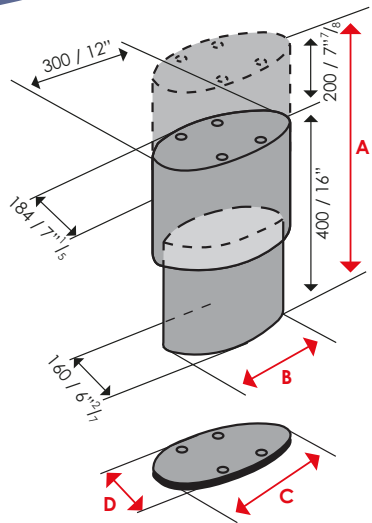
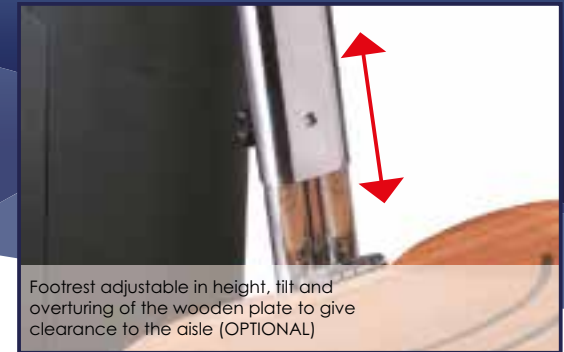
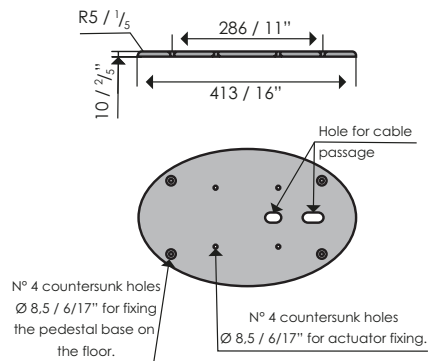
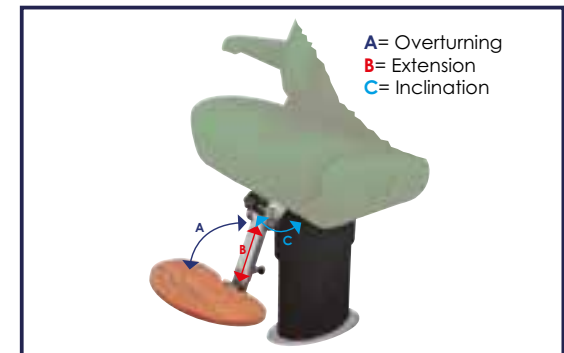


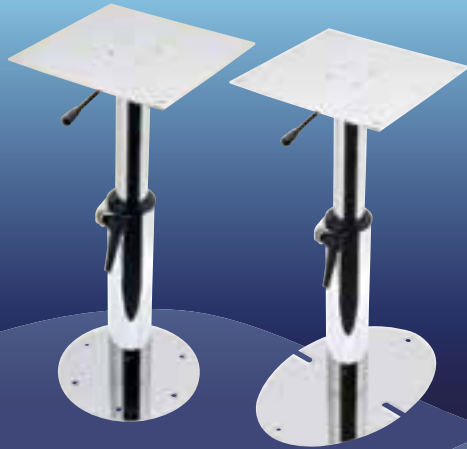
Plate for fixing the pedestal base on the floor (OPTIONAL)



Footrest adjustable in height, tilt and overturning of the wooden plate to give clearance to the aisle (OPTIONAL)



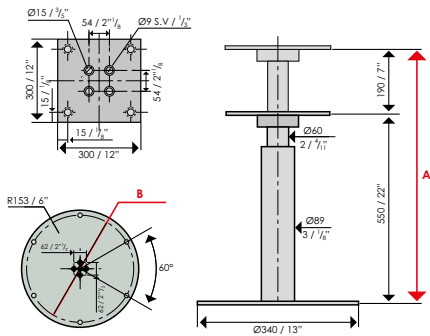
PEDESTAL 6670/6675



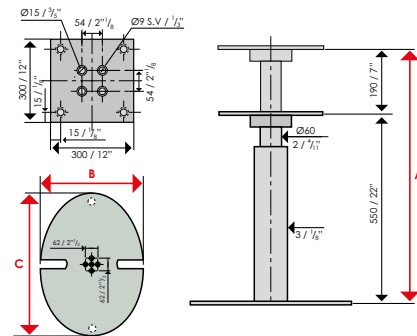
model	A (mm/inch)	B (mm/inch)	C (mm/inch)
6670	740 29"	Ø336 Ø13"	
6675	740 29"	300 12"	450 18"

Customised piston extension (OPTIONAL). Fastening bby means of 6 visible screws.
 Simple version without gas piston; without extension; without rotation or fi xed without adjustment possibility (OPTIONAL).
 NOTE: The fastening screws (countersunk M8) and the knobs are not included in the base.

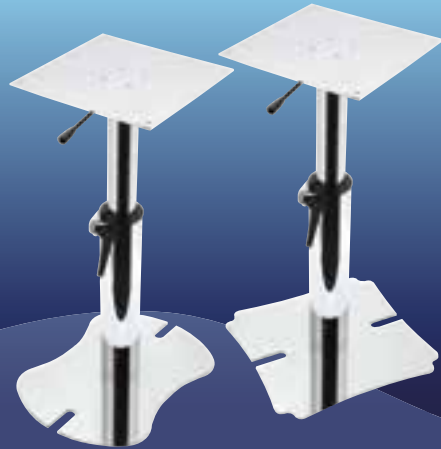
Model 6670



Model 6675



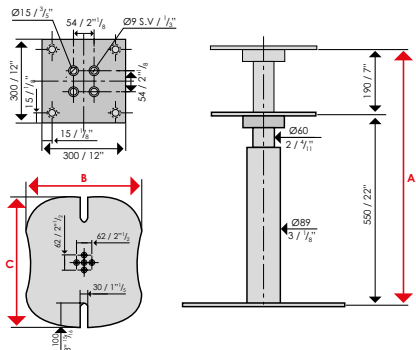
PEDESTAL 6680/6681



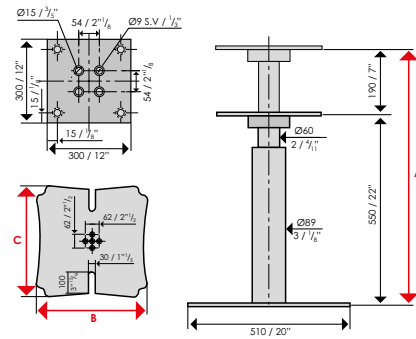
model	A (mm/inch)	B (mm/inch)	C (mm/inch)
6680	740 29"	440 17"	660 26"
6681	740 29"	510 20"	510 20"

Customised piston extension (OPTIONAL). On-board fixing with 2 knobs.
 Simple version without gas piston without extension; without rotation or fixed without adjustment possibility (OPTIONAL).
 NOTE: The fastening screws (countersunk M8) and the knobs are not included in the base.

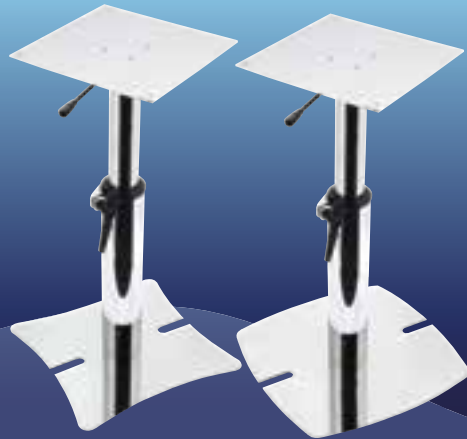
Model 6680



Model 6681



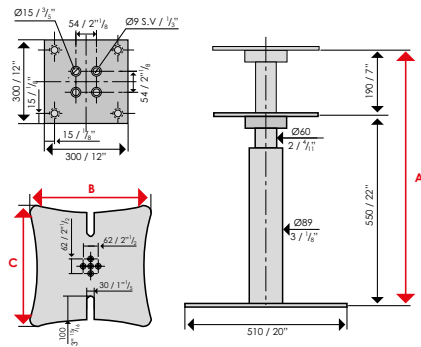
PEDESTAL 6682/6685



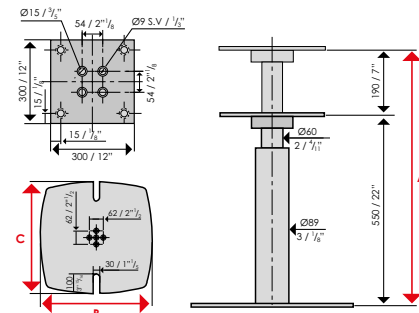
model	A (mm/inch)	B (mm/inch)	C (mm/inch)
6682	740 29"	510 20"	510 20"
6685	740 29"	570 22"	569 22"

Customised extension of the piston (OPTIONAL). On-board fixing with 2 knobs.
 Simple version without gas piston; without extension; without rotation or fixed without adjustment possibility (OPTIONAL).
 NOTE: The fastening screws (countersunk M8) and the knobs are not included in the base.

Model **6682**



Model **6685**



Архангельск (8182)63-90-72
 Астана (7172)727-132
 Астрахань (8512)99-46-04
 Барнаул (3852)73-04-60
 Белгород (4722)40-23-64
 Брянск (4832)59-03-52
 Владивосток (423)249-28-31
 Волгоград (844)278-03-48
 Вологда (8172)26-41-59
 Воронеж (473)204-51-73
 Екатеринбург (343)384-55-89
 Иваново (4932)77-34-06

Ижевск (3412)26-03-58
 Иркутск (395)279-98-46
 Казань (843)206-01-48
 Калининград (4012)72-03-81
 Калуга (4842)92-23-67
 Кемерово (3842)65-04-62
 Киров (8332)68-02-04
 Краснодар (861)203-40-90
 Красноярск (391)204-63-61
 Курск (4712)77-13-04
 Липецк (4742)52-20-81

Киргизия (996)312-96-26-47

Магнитогорск (3519)55-03-13
 Москва (495)268-04-70
 Мурманск (8152)59-64-93
 Набережные Челны (8552)20-53-41
 Нижний Новгород (831)429-08-12
 Новокузнецк (3843)20-46-81
 Новосибирск (383)227-86-73
 Омск (3812)21-46-40
 Орел (4862)44-53-42
 Оренбург (3532)37-68-04
 Пенза (8412)22-31-16

Россия (495)268-04-70

Пермь (342)205-81-47
 Ростов-на-Дону (863)308-18-15
 Рязань (4912)46-61-64
 Самара (846)206-03-16
 Санкт-Петербург (812)309-46-40
 Саратов (845)249-38-78
 Севастополь (8692)22-31-93
 Симферополь (3652)67-13-56
 Смоленск (4812)29-41-54
 Сочи (862)225-72-31
 Ставрополь (8652)20-65-13

Казахстан (772)734-952-31

Сургут (3462)77-98-35
 Тверь (4822)63-31-35
 Томск (3822)98-41-53
 Тула (4872)74-02-29
 Тюмень (3452)66-21-18
 Ульяновск (8422)24-23-59
 Уфа (347)229-48-12
 Хабаровск (4212)92-98-04
 Челябинск (351)202-03-61
 Череповец (8202)49-02-64
 Ярославль (4852)69-52-93

<https://opacmare.nt-rt.ru/> || omp@nt-rt.ru

FLOOR BASE FOR TABLES 6660

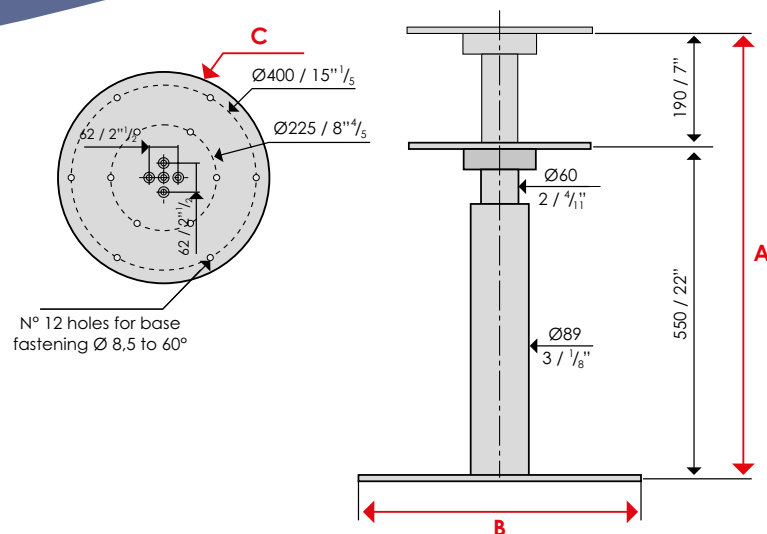


model	A (mm/inch)	B (mm/inch)	C (mm/inch)
6660	740 29"	460 18"	Ø456 Ø18"

Customized piston extension (OPTIONAL).

Simplified versions without gas ram, without extension and without rotation or fixed version without any adjustment option.

NOTE: M8 base fastening screws and knobs are not included.



The cylindrical base is fastened on board by means of 10 concealed screws.