

Архангельск (8182)63-90-72
 Астана (7172)727-132
 Астрахань (8512)99-46-04
 Барнаул (3852)73-04-60
 Белгород (4722)40-23-64
 Брянск (4832)59-03-52
 Владивосток (423)249-28-31
 Волгоград (844)278-03-48
 Вологда (8172)26-41-59
 Воронеж (473)204-51-73
 Екатеринбург (343)384-55-89
 Иваново (4932)77-34-06

Ижевск (3412)26-03-58
 Иркутск (395)279-98-46
 Казань (843)206-01-48
 Калининград (4012)72-03-81
 Калуга (4842)92-23-67
 Кемерово (3842)65-04-62
 Киров (8332)68-02-04
 Краснодар (861)203-40-90
 Красноярск (391)204-63-61
 Курск (4712)77-13-04
 Липецк (4742)52-20-81

Магнитогорск (3519)55-03-13
 Москва (495)268-04-70
 Мурманск (8152)59-64-93
 Набережные Челны (8552)20-53-41
 Нижний Новгород (831)429-08-12
 Новокузнецк (3843)20-46-81
 Новосибирск (383)227-86-73
 Омск (3812)21-46-40
 Орел (4862)44-53-42
 Оренбург (3532)37-68-04
 Пенза (8412)22-31-16

Пермь (342)205-81-47
 Ростов-на-Дону (863)308-18-15
 Рязань (4912)46-61-64
 Самара (846)206-03-16
 Санкт-Петербург (812)309-46-40
 Саратов (845)249-38-78
 Севастополь (8692)22-31-93
 Симферополь (3652)67-13-56
 Смоленск (4812)29-41-54
 Сочи (862)225-72-31
 Ставрополь (8652)20-65-13

Сургут (3462)77-98-35
 Тверь (4822)63-31-35
 Томск (3822)98-41-53
 Тула (4872)74-02-29
 Тюмень (3452)66-21-18
 Ульяновск (8422)24-23-59
 Уфа (347)229-48-12
 Хабаровск (4212)92-98-04
 Челябинск (351)202-03-61
 Череповец (8202)49-02-64
 Ярославль (4852)69-52-93

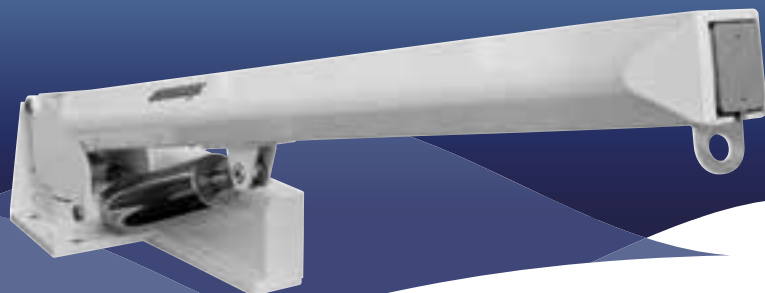
Киргизия (996)312-96-26-47

Россия (495)268-04-70

Казахстан (772)734-952-31

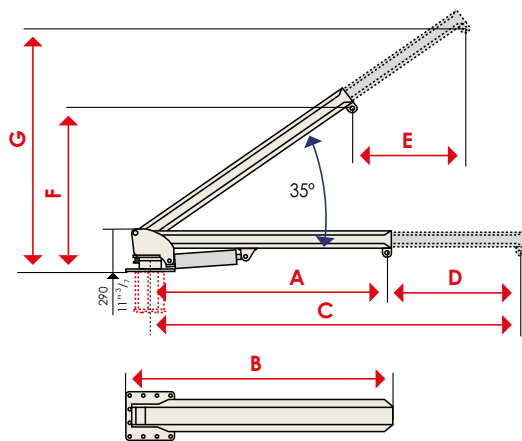
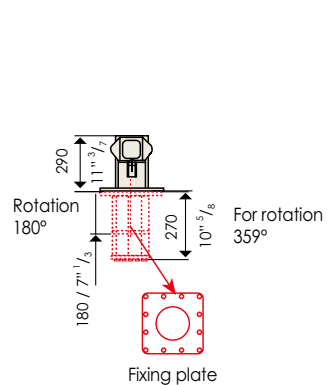
<https://opacmare.nt-rt.ru/> || omp@nt-rt.ru

TRANSOM CRANES 3040



model	A (mm/ inch)	B (mm/ inch)	C (mm/ inch)	D (mm/ inch)	E (mm/ inch)	F (mm/ inch)	G (mm/ inch)	L (mm/ inch)	capacity standard (kg/lbs)	capacity optional (kg/lbs)	weight (kg/lbs)
3040/25	1600 63"	1770 69"	2500 98"	900 35"	740 29"	1135 45"	1650 65"	1380 54"	250 550	400 900	162 360
3040/27	1600 63"	1770 69"	2700 106"	1100 43"	900 35"	1135 45"	1765 69"	1380 54"	250 550	350 800	177 390

The drawing shows the version with built-in actuator (OPTIONAL).

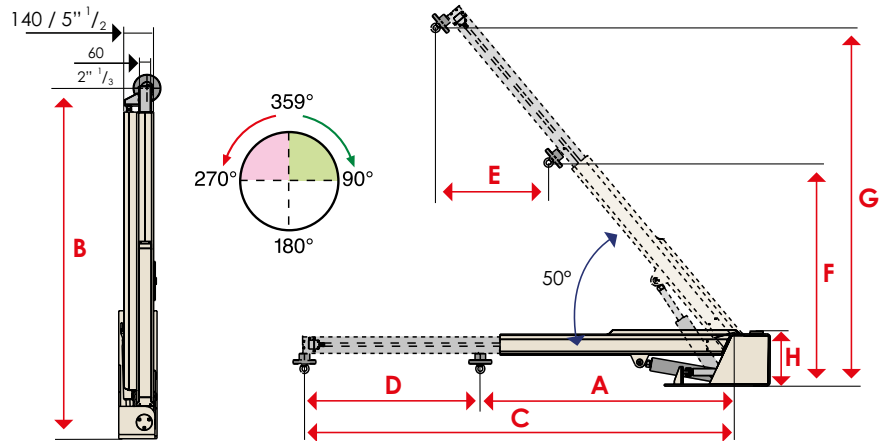


TRANSOM CRANES 3042

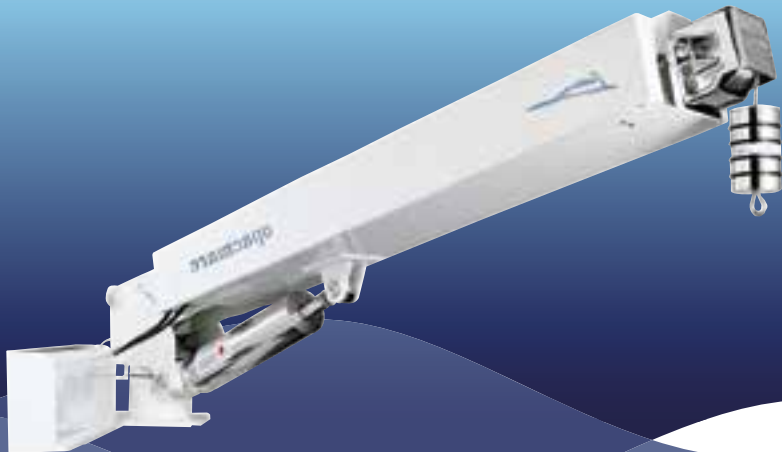


model	A (mm/ inch)	B (mm/ inch)	C (mm/ inch)	D (mm/ inch)	E (mm/ inch)	F (mm/ inch)	G (mm/ inch)	H (mm/ inch)	L (mm/ inch)	Cable length (mm/inch)	capacity optional (kg/lbs)	weight (kg/lbs)
3042/23	1485 58"	1560 61"	2185 86"	700 28"	450 18"	1160 46"	1700 67"	310 12"	1050 41"	-	200 450	98 215
3042/26	1585 62"	1650 65"	2585 102"	1000 39"	645 25"	1275 50"	2040 80"	320 13"	1115 44"	-	200 450	129 285
3042/26	1585 62"	1660 65"	2585 102"	1000 39"	645 25"	1235 49"	2000 79"	310 12"	1115 44"	1900 75"	200 450	134 300

The drawing shows the version with hydraulic hoist.
With hydraulic hoist and standard automatic rotation 90°.



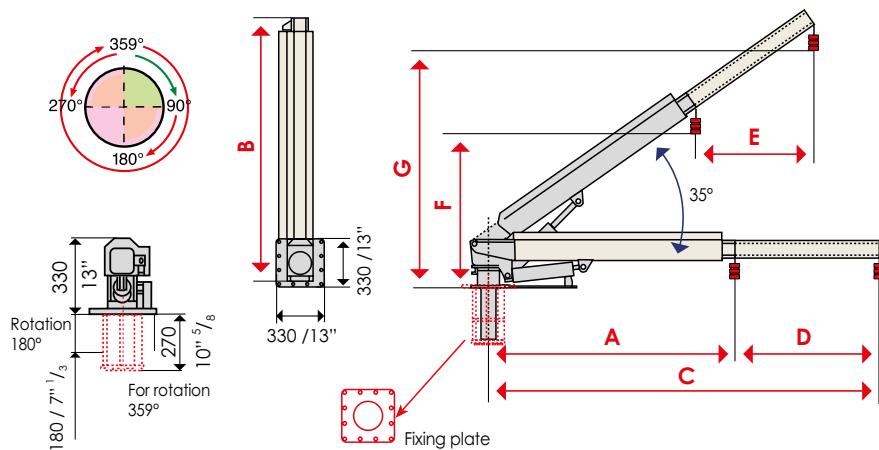
TRANSOM CRANES 3045



model	A (mm/ inch)	B (mm/ inch)	C (mm/ inch)	D (mm/ inch)	E (mm/ inch)	F (mm/ inch)	G (mm/ inch)	L (mm/ inch)	Cable length (mm/inch)	capacity standard (kg/lbs)	capacity optional (kg/lbs)	weight (kg/lbs)
3045/28	1670 66"	1805 71"	2650 104"	980 38"	760 30"	1090 43"	1625 64"	1415 56"	4400 173" 3500 138"	250 550 -	- 350 800	195 430
3045/31	1850 73"	1985 78"	2950 116"	1100 44"	860 34"	1196 47"	1798 71"	1570 62"	4400 173" 3500 138"	250 550 -	- 350 800	233 510

The drawing shows the version with hydraulic built-in actuator (OPTIONAL).

Standard automatic rotation 90° clockwise, by means of a cylinder.
 Optional rotation 90° clockwise, by means of a cylinder.
 Optional rotation 180 / 359°, by means of an actuator.

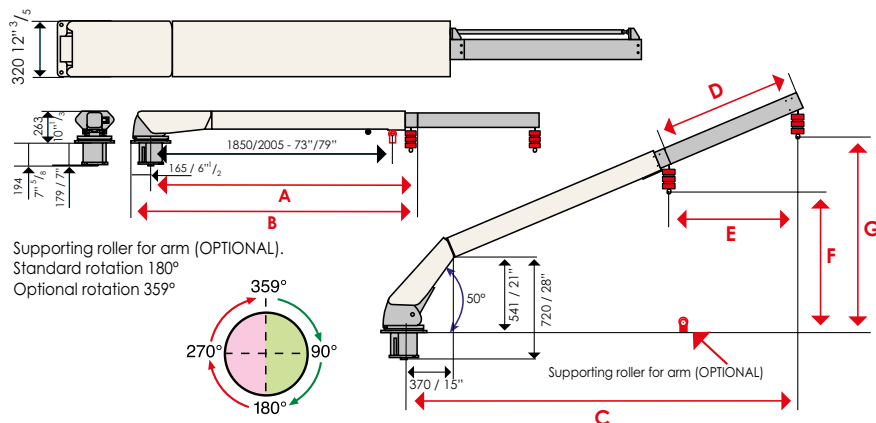


TELESCOPIC FLYBRIDGE CRANE 3046

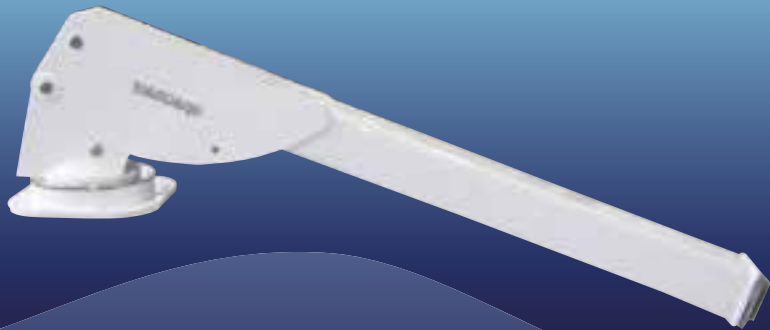


model	A (mm/ inch)	B (mm/ inch)	C (mm/ inch)	D (mm/ inch)	E (mm/ inch)	F (mm/ inch)	G (mm/ inch)	L (mm/ inch)	Cable length (mm/inch)	capacity standard (kg/lbs)	capacity optional (kg/lbs)	weight (kg/lbs)
3046/28	2060 81"	2210 87"	2665 105"	935 37"	860 34"	930 37"	1300 51"	1800 71"	4400 173" 3500 138"	250 550 -	- 350 800	290 640
3046/32	2160 85"	2360 93"	2850 112"	1030 40"	930 37"	1007 39"	1402 55"	1900 75"	5700 224" 4500 177"	250 550 -	- 350 800	314 690

Supporting roller for arm (OPTIONAL).
Standard rotation 180°.
Optional rotation 359°.

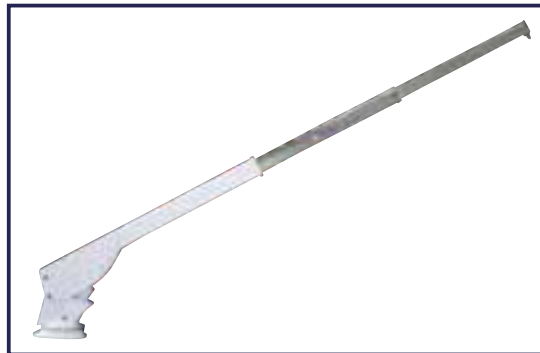
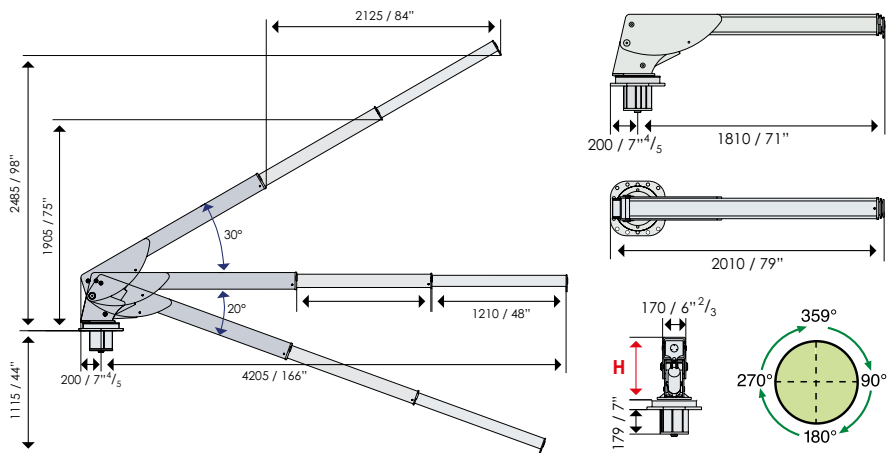


TELESCOPIC GARAGE CRANE 3055



model	H (mm/inch)	capacity standard (kg/lbs)	weight (kg/lbs)
3055/42	530 580 21" 23"	250 350 550 800	193 212 425 465

Rotation 359° by means of an actuator.

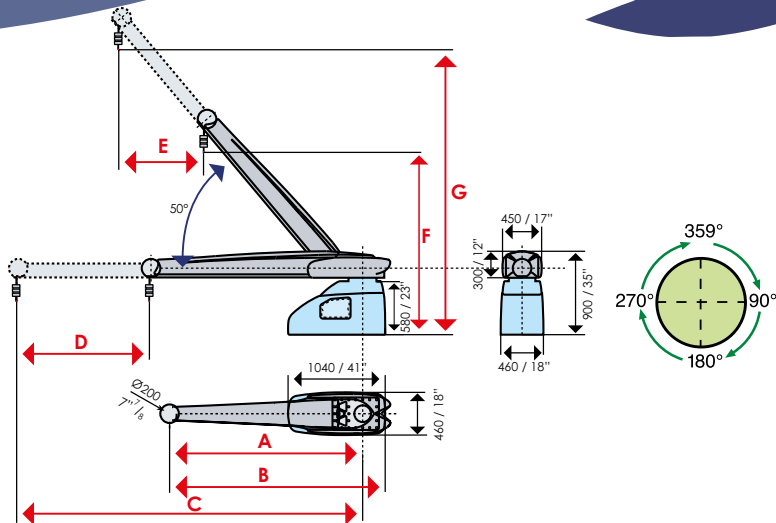


TELESCOPIC FLYBRIDGE CRANE 3010



model	A (mm/ inch)	B (mm/ inch)	C (mm/ inch)	D (mm/ inch)	E (mm/ inch)	F (mm/ inch)	G (mm/ inch)	L (mm/ inch)	Cable length (mm inch)	capacity standard (kg/lbs)	capacity optional (kg/lbs)	weight (kg/lbs)
3010/37	2100 83"	2480 98"	3330 131"	1230 48"	785 31"	1810 71"	2765 109"	1590 62"	6700/264" 5400/213"	300 660	450 600 600 1320	400 880
3010/41	2300 90"	2690 106"	3710 146"	1440 57"	920 36"	2000 79"	3080 121"	1715 68"	7700/303" 6200/244"	300 660	450 600 600 1320	439 970

To choose the base, please refer to section:
"SLEWING FLYBRIDGE CRANE BASES". Standard rotation 359°.

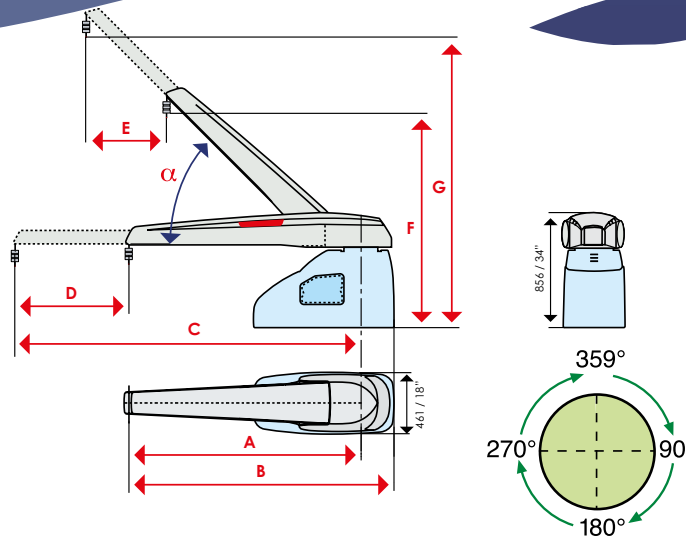


TELESCOPIC FLYBRIDGE CRANE 3030



model	A (mm/ inch)	B (mm/ inch)	C (mm/ inch)	D (mm/ inch)	E (mm/ inch)	F (mm/ inch)	G (mm/ inch)	L (mm/ inch)	Cable length (mm inch)	capacity standard (kg/lbs)	capacity optional (kg/lbs)	weight (kg/lbs)
3030/29	1750 69"	1980 78"	2600 102"	850 33"	600 24"	1560 61"	2116 85"	1425 56"	4400 173" 3500 138"	300 660 -	450 600 1000 1320	338 740
3030/33	1860 73"	2130 84"	2890 114"	1030 41"	660 26"	1810 71"	2605 102"	1530 60"	5700 224" 4600 181"	300 660 -	450 600 1000 1320	378 770
3030/42	2430 96"	2730 107"	3930 155"	1500 59"	950 37"	2100 83"	3260 128"	1840 73"	7700 303" 6200 244"	300 660 -	450 600 1000 1320	440 970
3030/45	2630 104"	2930 115"	4230 167"	1600 63"	1015 40"	2250 89"	3490 137"	1965 78"	7700 303" 6200 244"	300 660 -	500 1000 -	465 1020

To choose the base, please refer to page:
 "SLEWING FLYBRIDGE CRANE BASES". Standard rotation 359°.
 * F, G dimensions are referred to installation on AL base.



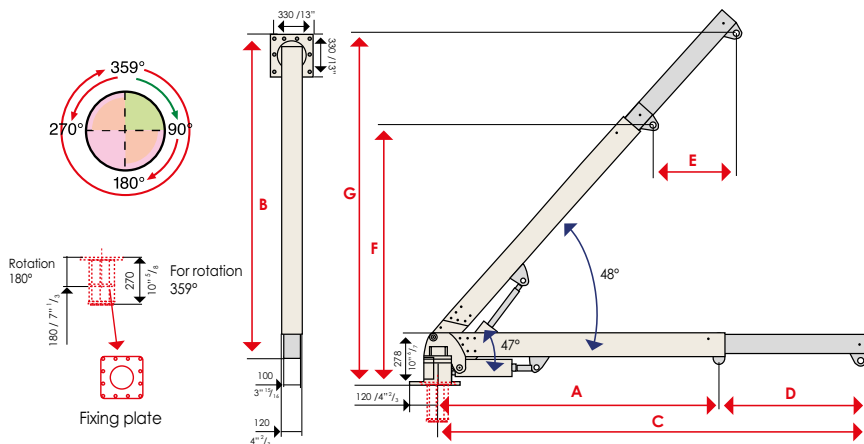
TRANSOM CRANES 3043



model	A (mm/ inch)	B (mm/ inch)	C (mm/ inch)	D (mm/ inch)	E (mm/ inch)	F (mm/ inch)	G (mm/ inch)	L (mm/ inch)	capacity standard (kg/lbs)	weight (kg/lbs)
3043	1635 65"	1755 69"	2535 100"	900 35"	600 24"	1400 55"	2070 81"	1190 47"	300 700	165 370

The drawing shows the version with hydraulic built-in actuator (OPTIONAL).

Standard automatic rotation 90° clockwise, by means of a cylinder.
 Optional rotation 90° clockwise, by means of a cylinder.
 Optional rotation 180 / 359°, by means of an actuator.

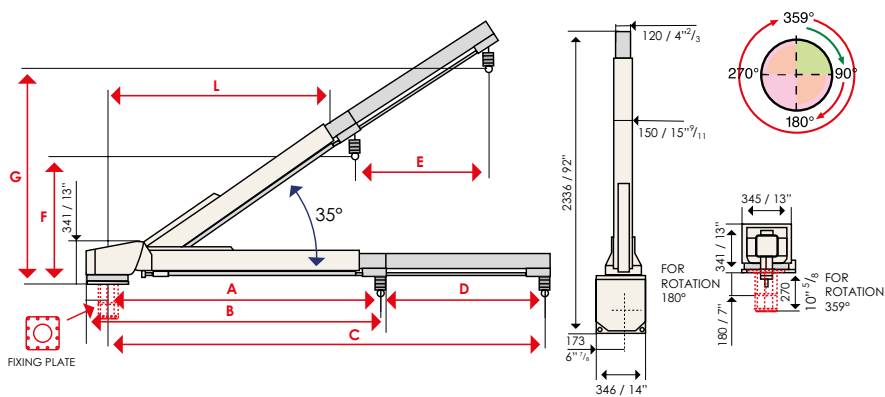


TELESCOPIC GARAGE CRANE 3051



model	A (mm/ inch)	B (mm/ inch)	C (mm/ inch)	D (mm/ inch)	E (mm/ inch)	F (mm/ inch)	G (mm/ inch)	L (mm/ inch)	Cable length (mm inch)	capacity standard (kg/lbs)	capacity optional (kg/lbs)	weight (kg/lbs)
3051/31	1930 76"	2140 84"	3090 122"	1160 46"	950 37"	940 37"	1600 63"	1830 72"	5700 244" 4600 181"	300 700 -	- 500 1100	291 640
3051/35.0	2130	2355	3410	1280	1030	1000	1760	1910	6700 264" 5400 213"	300 700	500 500 1100 1100	314 302 690 670
3051/45	2650 104"	2850 112"	4350 171"	1700 67"	1240 49"	1650 65"	2800 110"	1910 75"	5400 213"	500 1100	- -	353 780

Standard automatic rotation 90° clockwise, by means of a cylinder.
 Optional rotation 180/359°, by means of an actuator.
 * Without hydraulic hoist.
 The drawing shows the version with built-in actuator (OPTIONAL)

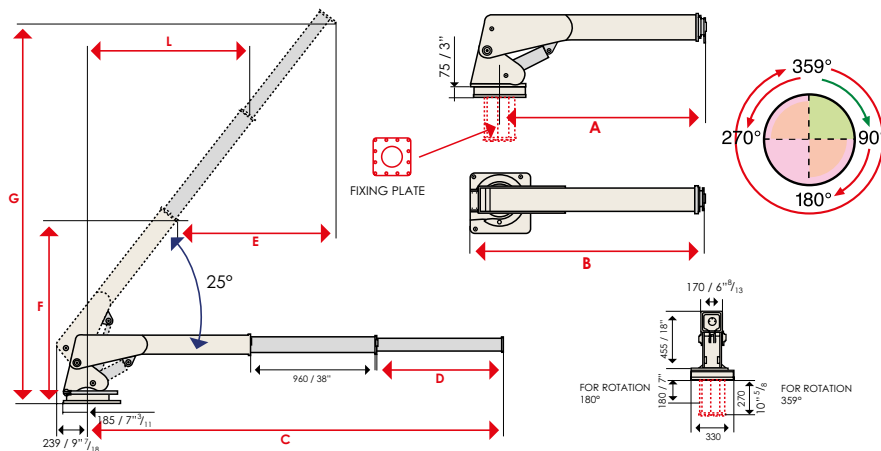


TELESCOPIC GARAGE CRANE 3054



model	A (mm/ inch)	B (mm/ inch)	C (mm/ inch)	D (mm/ inch)	E (mm/ inch)	F (mm/ inch)	G (mm/ inch)	L (mm/ inch)	Cable length (mm inch)	capacity standard (kg/lbs)	weight (kg/lbs)
3054/20 FIXED ARM	2000 71"	2210 87"	2000 79"	- 28"	- 18"	- 46"	2085 82"	1140 45"	5400 213"	300 700	268 590
3054/34	1300 51"	1475 58"	3190 126"	1900 75"	1170 46"	1400 55"	2940 116"	710 28"	- -	300 700	300 660

Standard automatic rotation 90° clockwise, by means of a cylinder.
 Optional rotation 90° counter clockwise, by means of a cylinder.
 Optional rotation 180°/359°, by means of an actuator.
 The drawing shows the version with built-in actuator (OPTIONAL)

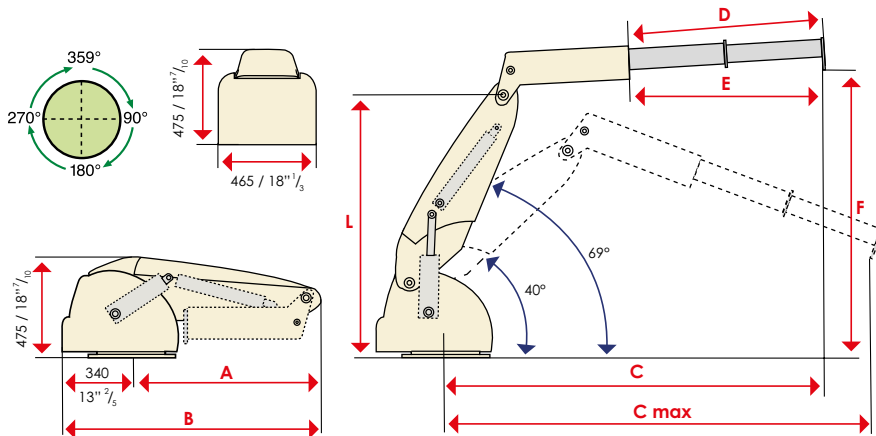


TRANSOM CRANES 3070 “my DOG”



model	A (mm/ inch)	B (mm/ inch)	C (mm/ inch)	C max (mm/inch)	D (mm/ inch)	E (mm/ inch)	F (mm/ inch)	L (mm/ inch)	capacity standard (kg/lbs)	capacity optional (kg/lbs)	weight (kg/lbs)
3070/21	895 35"	1235 49"	1795 71"	2080 82"	905 36"	905 36"	1395 55"	900 35"	300 700	500 1100	307 680
3070/26	1200 47"	1540 61"	2350 92"	2600 103"	1060 42"	1060 42"	1660 65"	1285 50"	300 700	400 900	319 705

Standard rotation 359°

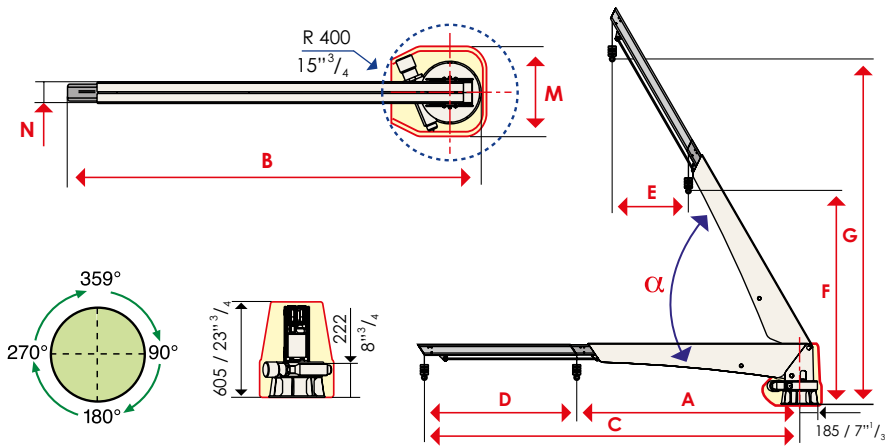


TELESCOPIC FLYBRIDGE CRANE 3091



model	A (mm/ inch)	B (mm/ inch)	C (mm/ inch)	D (mm/ inch)	E (mm/ inch)	F (mm/ inch)	G (mm/ inch)	M (mm/ inch)	N (mm/ inch)	α	Cable length (mm inch)	capacity standard (kg/lbs)	weight (kg/lbs)
3091/26	1650 65"	1900 75"	2600 102"	950 37"	475 19"	1650 65"	2480 98"	470 18"	128 5"	60°	3600 142"	300 660	505 1100
3091/29	1800 71"	2050 81"	2900 114"	1100 43"	550 22"	1800 71"	2750 108"	470 18"	128 5"	60°	4400 173"	300 660	580 1280
3091/33	2000 79"	2250 89"	3300 130"	1300 51"	650 26"	1960 77"	3100 122"	470 18"	128 5"	60°	5200 205"	300 660	635 1400
3091/37	2200 87"	2450 97"	3700 146"	1500 59"	750 30"	2130 84"	3430 135"	470 18"	128 5"	60°	6000 236"	300 660	665 1470

Standard rotation 359°.

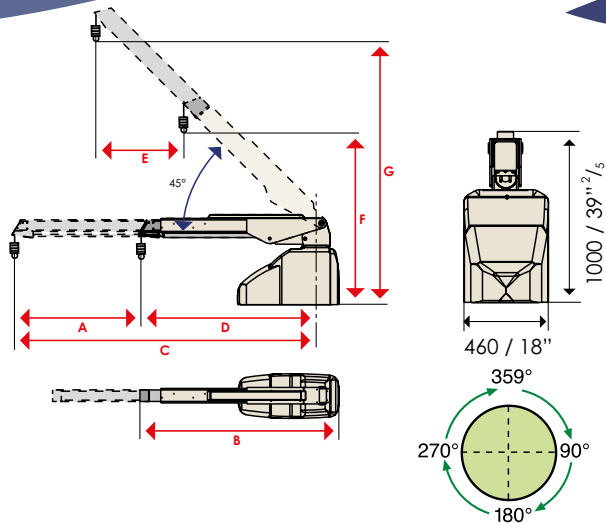


TELESCOPIC FLYBRIDGE CRANE 3031



model	A (mm/ inch)	B (mm/ inch)	C (mm/ inch)	D (mm/ inch)	E (mm/ inch)	F (mm/ inch)	G (mm/ inch)	L (mm/ inch)	Cable length (mm inch)	capacity standard (kg/lbs)	weight (kg/lbs)
3031/29	1815 72"	2050 81"	2715 107"	900 36"	640 25"	2090 82"	2730 107"	- -	3500 138"	500 1100	312 690
3031/33	2010 79"	2250 89"	3110 122"	1100 43"	780 31"	2230 88"	3010 118"	- -	4600 181"	500 1100	334 740
3031/37	2015 80"	2250 89"	3315 130"	1300 51"	920 36"	2370 93"	3290 130"	- -	5400 213"	500 1100	355 780
3031/41	2690 106"	2950 116"	4020 158"	1400 55"	990 39"	2560 101"	3550 140"	1885 74"	6200 244"	500 1100	378 830
3031/52	3045 120"	3280 129"	5095 201"	2050 81"	1450 57"	2800 110"	4250 167"	2230 88"	6200 244"	350 770	440 970

Standard rotation 359°.

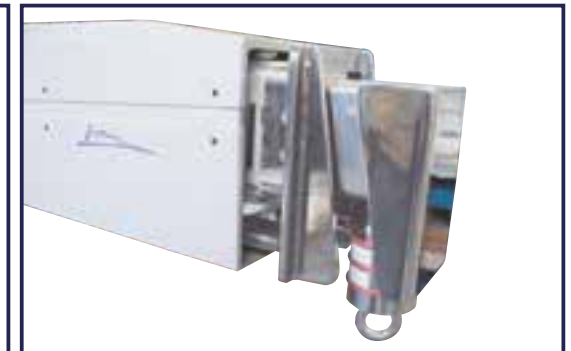
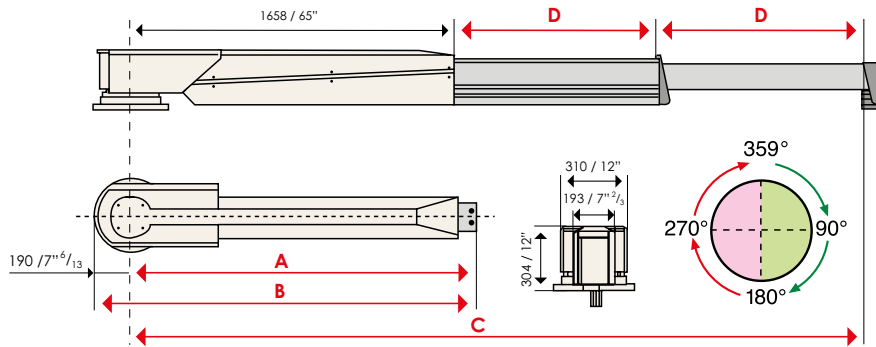


TELESCOPIC GARAGE CRANE 3053



model	A (mm/inch)	B (mm/inch)	C (mm/inch)	D (mm/inch)	Cable length (mm inch)	capacity standard (kg/lbs)	weight (kg/lbs)
3053	1765 70"	1955 77"	3825 151"	1030 41"	3600 142"	350 770	430 950

Standard rotation 180°, by means of an actuator.
Optional rotation 359°, by means of an actuator.

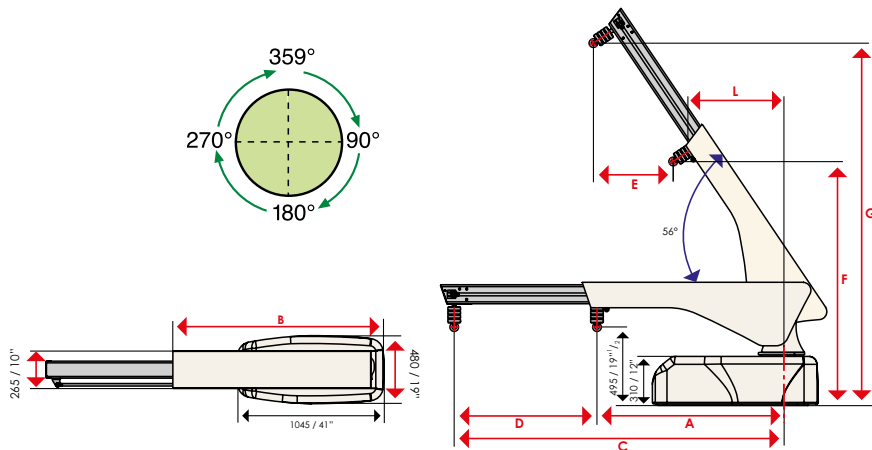


TELESCOPIC FLYBRIDGE CRANE 3034

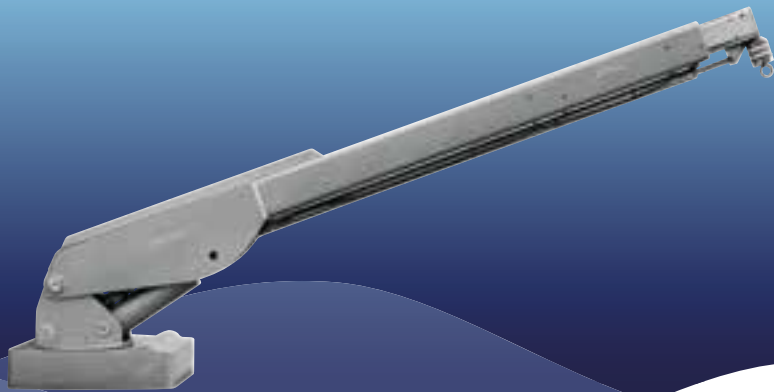


model	A (mm/ inch)	B (mm/ inch)	C (mm/ inch)	D (mm/ inch)	E (mm/ inch)	F (mm/ inch)	G (mm/ inch)	L (mm/ inch)	Cable length (mm inch)	capacity standard (kg/lbs)	weight (kg/lbs)
3034/24	1150 45"	1490 59"	2050 81"	900 35"	505 20"	1540 61"	2285 90"	540 21"	4000 158"	500 1100	388 850
3034/28	1395 55"	1730 68"	2525 100"	1130 45"	630 25"	1730 68"	2665 105"	710 28"	4000 158"	400 880	405 890

Standard rotation 359°.

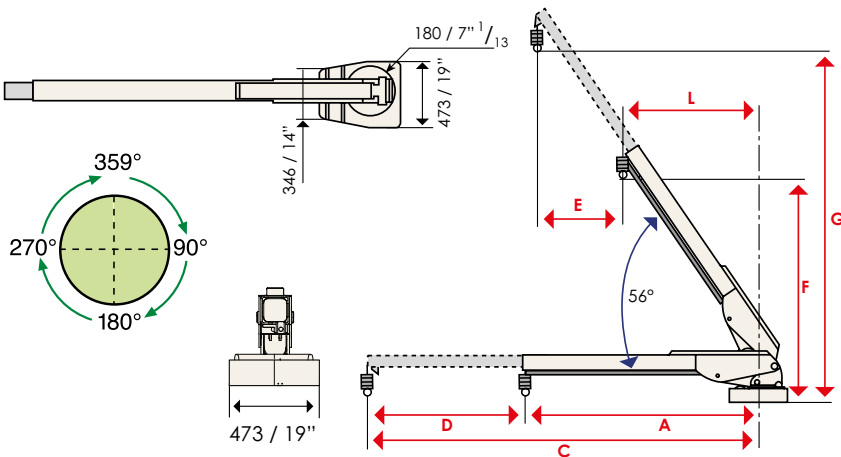


TELESCOPIC FLYBRIDGE CRANE 3035

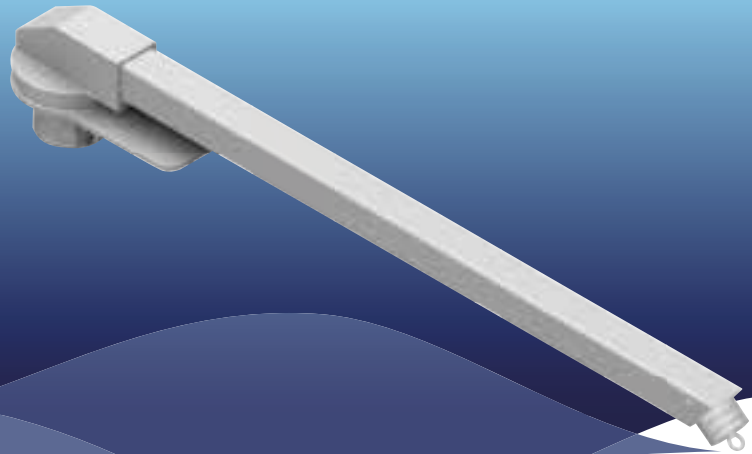


model	A (mm/ inch)	B (mm/ inch)	C (mm/ inch)	D (mm/ inch)	E (mm/ inch)	F (mm/ inch)	G (mm/ inch)	H (mm/ inch)	L (mm/ inch)	Cable length (mm inch)	capacity standard (kg/lbs)	capacity optional (kg/lbs)	weight (kg/lbs)
3035/42	2620 103"	2800 110"	4220 166"	1600 63"	915 36"	2420 95"	3740 147"	510 570 20" 22"	1390 55"	6800 268" 5400 213"	400 900	500 1200	367 378 810 830

Standard rotation 359°.

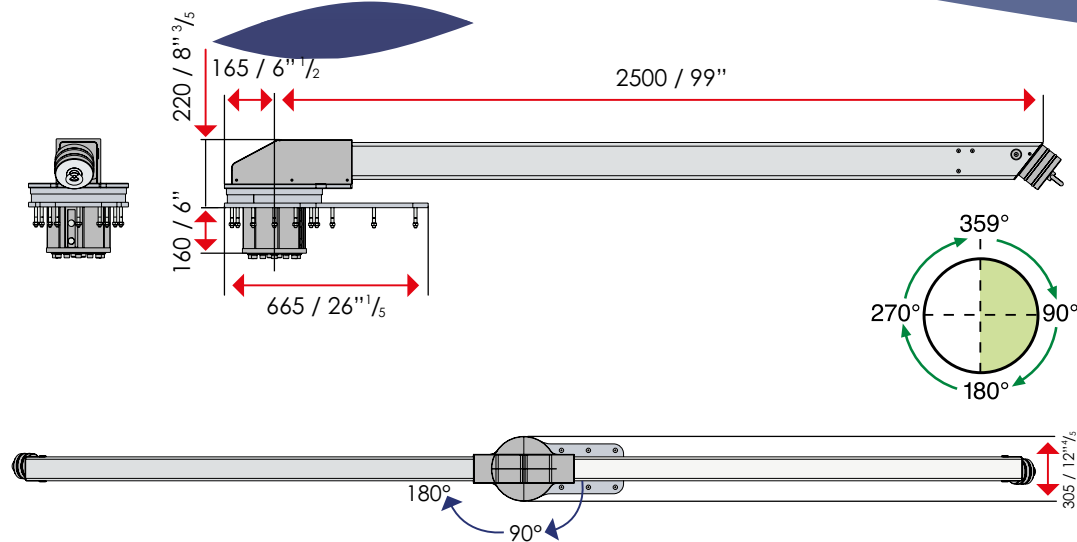


TELESCOPIC FLYBRIDGE CRANE 3044

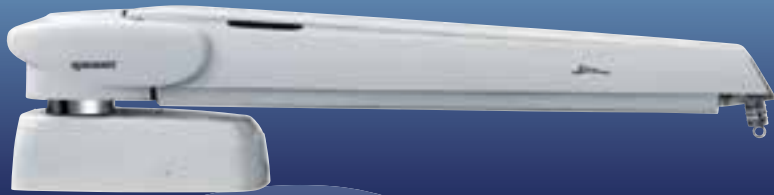


model	A (mm/inch)	B (mm/inch)	Cable length (mm/inch)	capacity standard (kg/lbs)	weight (kg/lbs)
3044/25	2500 99"	2665 105"	4500 177"	400 880	193 425

Standard rotation 180° with rotary actuator.



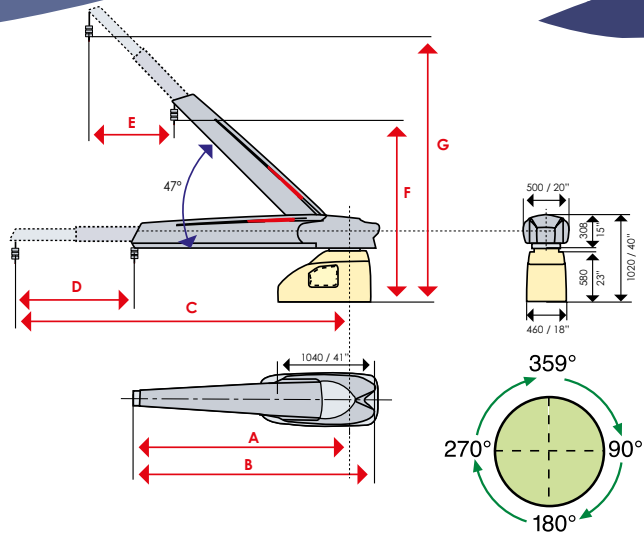
TELESCOPIC FLYBRIDGE CRANE 3023



model	A (mm/ inch)	B (mm/ inch)	C (mm/ inch)	D (mm/ inch)	E (mm/ inch)	F (mm/ inch)	G (mm/ inch)	L (mm/ inch)	Cable length (mm inch)	capacity standard (kg/lbs)	weight (kg/lbs)
3023/45	2400 94"	2720 107"	4200 165"	1830 72"	1250 49"	1900 75"	3240 128"	1950 76"	5400 213"	500 1100	607 1340
3023/51	2800 110"	3130 123"	4850 191"	2050 81"	1350 53"	2250 89"	3700 146"	2200 86"	6200 244"	500 1100	680 1500

To choose the base, please refer to section:
"SLEWING FLYBRIDGE CRANE BASES"

* F, G dimensions are referred to installation on AL base.
Standard rotation 359°.

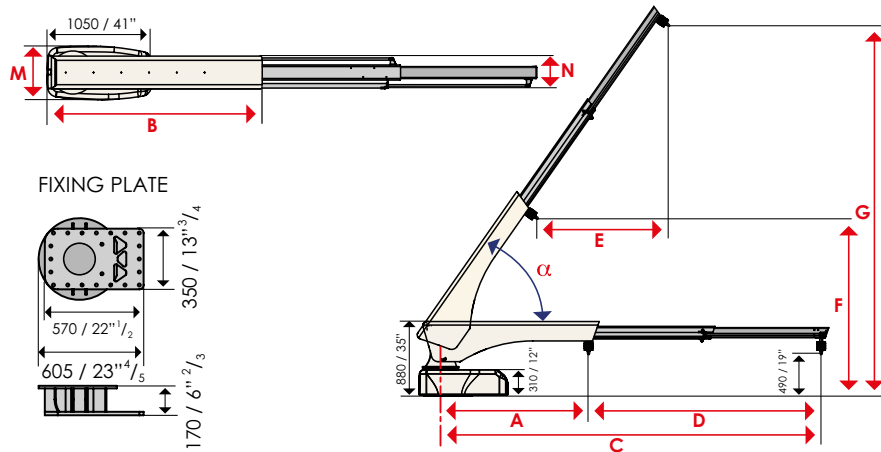


TELESCOPIC FLYBRIDGE CRANE 3024



model	A (mm/ inch)	B (mm/ inch)	C (mm/ inch)	D (mm/ inch)	E (mm/ inch)	F (mm/ inch)	G (mm/ inch)	L (mm/ inch)	Cable length (mm inch)	capacity standard (kg/lbs)	weight (kg/lbs)
3024/40	1825 72"	2150 85"	4000 158"	2860 113"	1390 55"	2470 97"	3950 156"	- -	2400 954"	700 1550	640 1400
3024/45	1990 78"	2320 91"	4500 177"	2525 99"	1580 62"	2335 92"	4360 172"	990 39"	4000 158"	700 1550	720 1590
3024/60	2490 98"	3090 122"	6000 236"	3525 139"	2155 85"	2745 108"	5590 220"	- -	4000 158"	500 1100	850 1880

Standard rotation 359°.

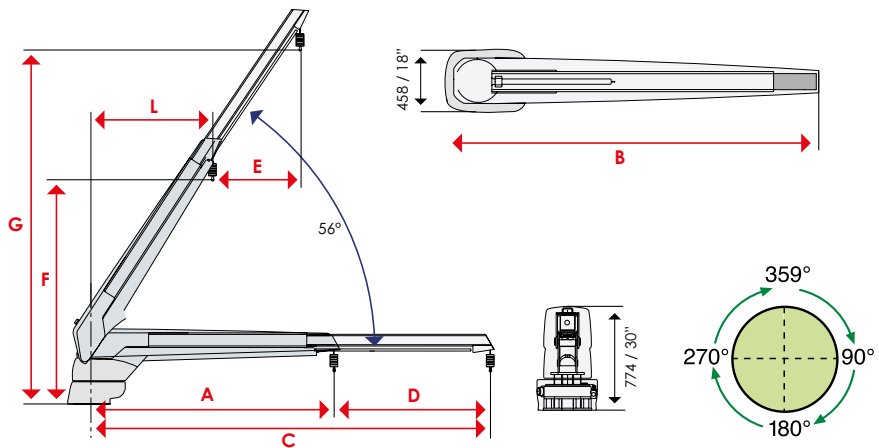


TELESCOPIC FLYBRIDGE CRANE 3036



model	A (mm/ inch)	B (mm/ inch)	C (mm/ inch)	D (mm/ inch)	E (mm/ inch)	F (mm/ inch)	G (mm/ inch)	L (mm/ inch)	Cable length (mm inch)	capacity standard (kg/lbs)	weight (kg/lbs)
3036/43	2490 98"	2790 110"	4040 159"	1550 61"	900 35"	2290 90"	3685 145"	1250 49"	6200 244"	500 1100	334 740

Standard rotation 359°.

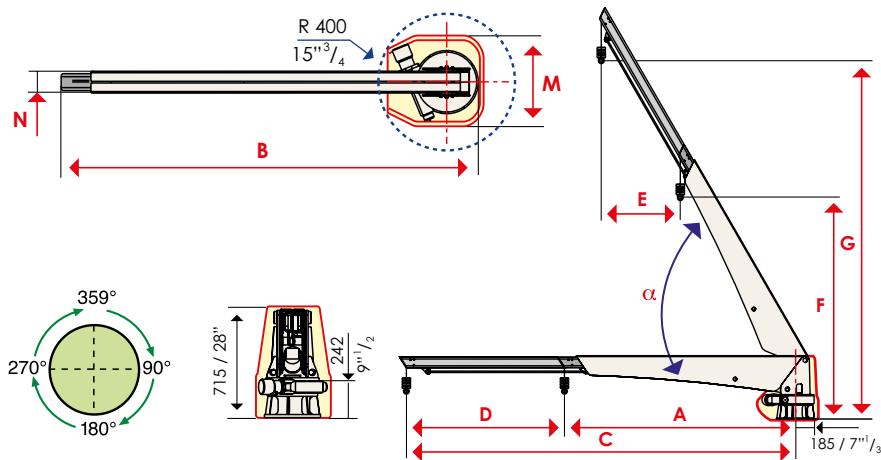


TELESCOPIC FLYBRIDGE CRANE 3092

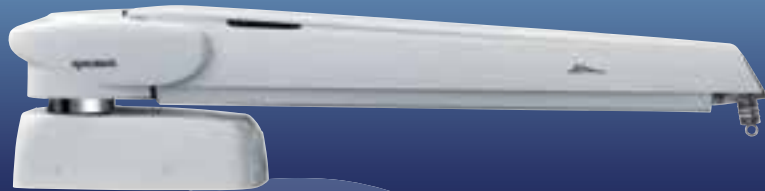


model	A (mm/ inch)	B (mm/ inch)	C (mm/ inch)	D (mm/ inch)	E (mm/ inch)	F (mm/ inch)	G (mm/ inch)	M (mm/ inch)	N (mm/ inch)	α	Cable length (mm inch)	capacity standard (kg/lbs)	weight (kg/lbs)
3092/26	1920 76"	2190 86"	2600 102"	680 27"	350 14"	1850 73"	2460 97"	470 18"	160 6"	60°	4550 180"	500 1100	590 1300
3092/29	2050 81"	2320 91"	2900 114"	850 33"	425 17"	1980 78"	2720 107"	470 18"	160 6"	60°	5350 210"	500 1100	660 1450
3092/33	2250 89"	2520 99"	3300 130"	1050 41"	525 21"	2250 89"	3070 121"	470 18"	160 6"	60°	6150 240"	500 1100	720 1600
3092/37	2450 96"	2720 107"	3700 146"	1250 49"	625 25"	2320 91"	3410 134"	470 18"	160 6"	60°	6150 240"	500 1100	800 1750
3092/43	2750 108"	3020 119"	4300 169"	1550 61"	775 30"	2580 102"	3930 154"	470 18"	160 6"	60°	7600 299"	500 1100	950 2100

Standard rotation 359°.



TELESCOPIC FLYBRIDGE CRANE 3026

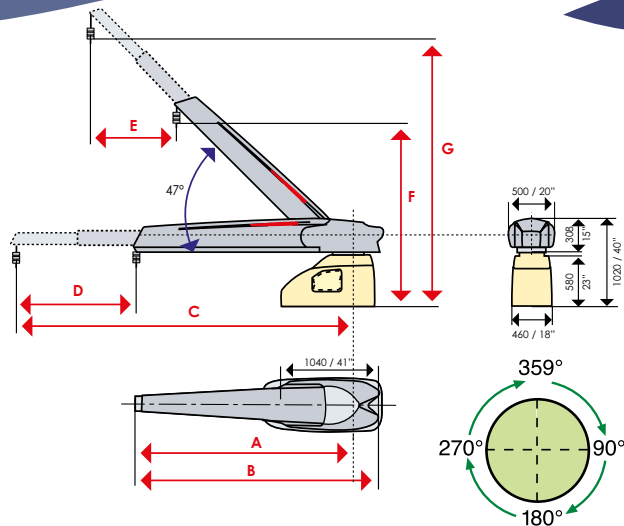


model	A (mm/ inch)	B (mm/ inch)	C (mm/ inch)	D (mm/ inch)	E (mm/ inch)	F (mm/ inch)	G (mm/ inch)	L (mm/ inch)	Cable length (mm inch)	capacity standard (kg/lbs)	weight (kg/lbs)
3026/40	2400 94"	2730 107"	3725 147"	1340 53"	925 36"	2060 81"	3000 118"	1900 75"	6000 236"	800 1800	562 1240
3026/47	2800 110"	3050 120"	4400 173"	1600 63"	1075 42"	2350 92"	3520 138"	2100 83"	6000 236"	800 1800	606 1340
3026/60	3560 140"	3860 152"	5700 224"	2140 84"	1500 59"	3050 120"	4600 181"	2660 105"	7200 283"	800 1800	789 1740

To choose the base, please refer to the page:
"SLEWING FLYBRIDGE CRANE BASES".

Standard rotation 359°.

The dimensions F and G are referred to the assembly on AL base.

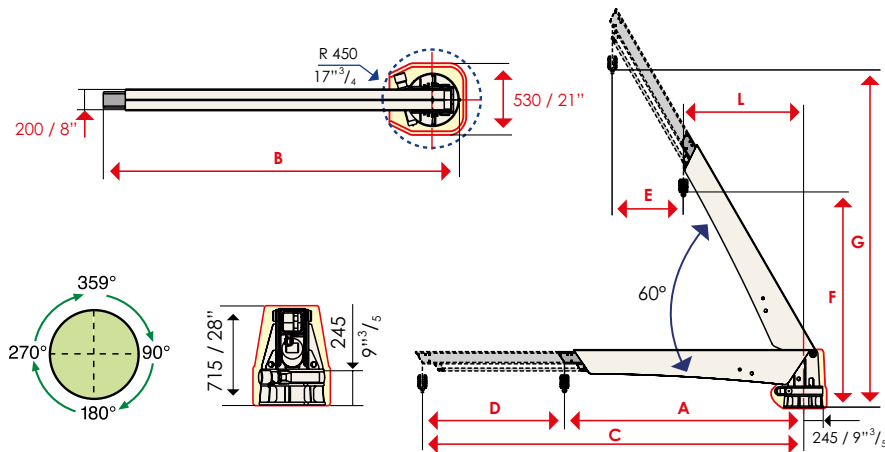


TELESCOPIC FLYBRIDGE CRANE 3093



model	A (mm/ inch)	B (mm/ inch)	C (mm/ inch)	D (mm/ inch)	E (mm/ inch)	F (mm/ inch)	G (mm/ inch)	L (mm/ inch)	Cable length (mm inch)	capacity standard (kg/lbs)	weight (kg/lbs)
3093/30	1750 69"	2000 79"	2750 108"	1000 39"	500 20"	1560 61"	2520 99"	870 34"	4000 158"	800 1770	585 1290

This crane can be certified for rescue boats and can be produced in compliance with S.O.L.A.S. requirements, upon request.
ATTENTION! In case of certification request, dimensions and technical specifications may undergo significant variations.
 Please contact our Technical Department for information about the available certifications for the different crane models.
 Standard rotation 359°.

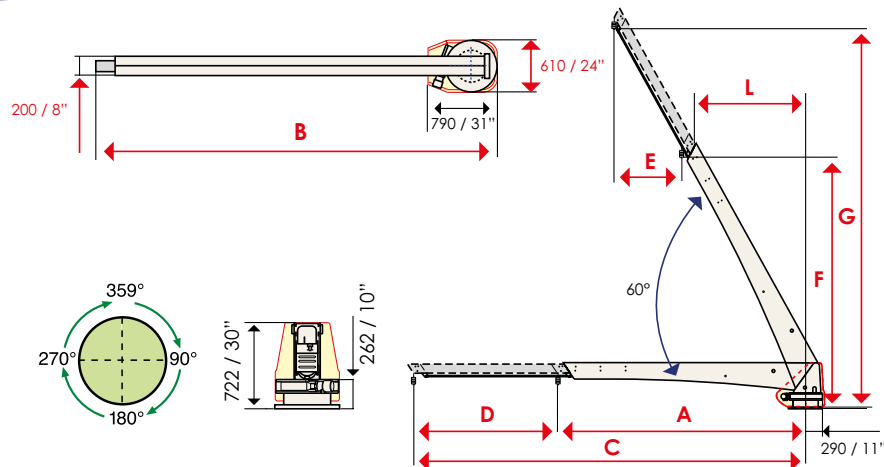


TELESCOPIC FLYBRIDGE CRANE 3080



model	A (mm/ inch)	B (mm/ inch)	C (mm/ inch)	D (mm/ inch)	E (mm/ inch)	F (mm/ inch)	G (mm/ inch)	L (mm/ inch)	Cable length (mm inch)	capacity standard (kg/lbs)	capacity optional (kg/lbs)	weight (kg/lbs)
3080/45	2990 118"	3380 133"	4170 164"	1220 48"	610 24"	3170 125"	4230 167"	1390 55"	7200 283"	1000 2200	1200 2650	815 1800
3080/50	3500 138"	3900 154"	5000 197"	1500 59"	770 30"	3710 146"	5150 203"	1730 68"	8000 315"	1000 2200	1200 2650	893 1900
3080/55	3561 140"	4050 159"1/2	5429 214"	1868 73"1/2	872 34"	4088 161"	5785 228"	1425 56"	8000 315"	1000 2200		793 1748
3080/60	3730 147"	4100 161"	5930 233"	2200 86"	1100 43"	3530 139"	5440 214"	1860 73"	8000 315"	1000 2200		947 2090
3080/65	4150 163"	4560 180"	6450 254"	2300 91"	1165 46"	4275 168"	6345 250"	2030 80"	8000 315"	1000 2200		983 2200

This crane can be certified for rescue boats and can be produced in compliance with S.O.L.A.S. requirements, upon request.
 ATTENTION! In case of certification request, dimensions and technical specifications may undergo significant variations.
 Please contact our Technical Department for information about the available certifications for the different crane models.
 Standard rotation 359°

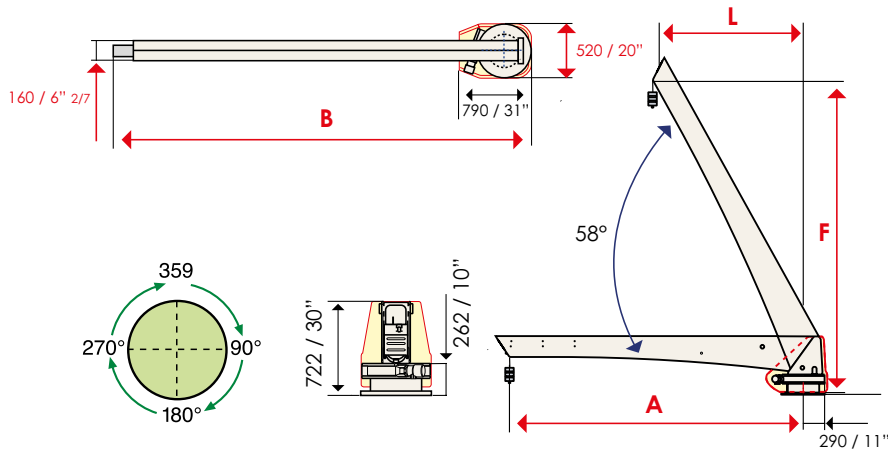


FLYBRIDGE CRANE 3082



model	A (mm/ inch)	B (mm/ inch)	F (mm/ inch)	L (mm/ inch)	Cable length (mm inch)	capacity standard (kg/lbs)	capacity optional (kg/ lbs)	weight (kg/lbs)
3082/35	3515 138"	3855 151"	3675 144"	2000 79"	8000 315"	1000 2200	1500 3300	610 1350

This crane can be certified for rescue boats and can be produced in compliance with S.O.L.A.S. requirements, upon request.
ATTENTION! In case of certification request, dimensions and technical specifications may undergo significant variations.
 Please contact our Technical Department for information about the available certifications available for the different crane models.
 Standard rotation 359°



TELESCOPIC GARAGE CRANE 3056



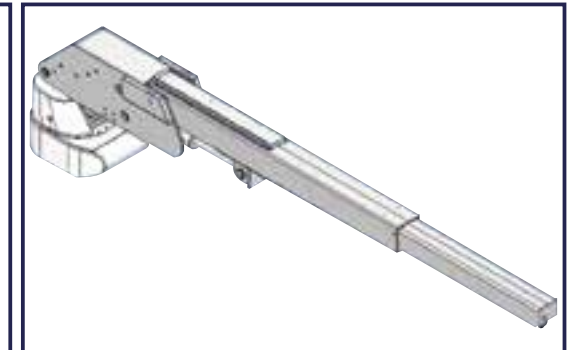
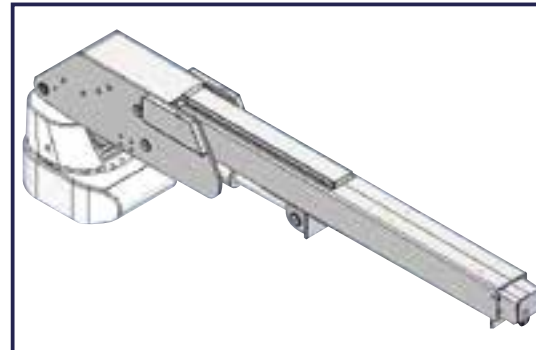
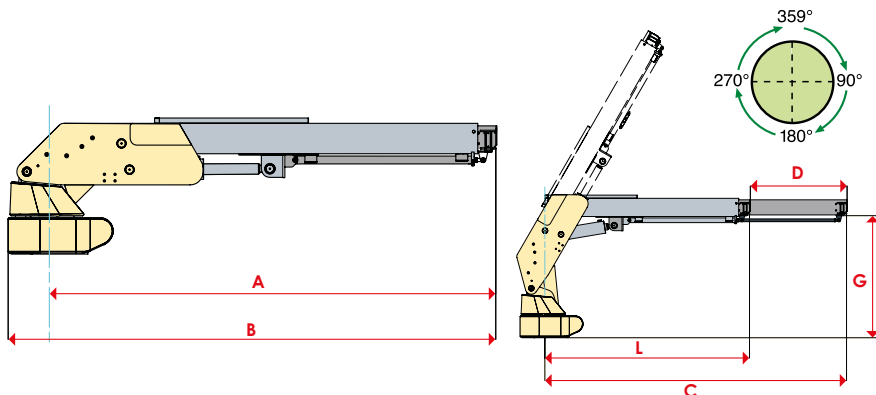
model	A (mm/ inch)	B (mm/ inch)	C (mm/ inch)	D (mm/ inch)	G (mm/ inch)	L (mm/ inch)	Cable length (mm inch)	capacity standard (kg/lbs)	weight (kg/lbs)
3056/40	3365 132"	3680 145"	3800 150"	1220 48"	1450 57"	2580 101"	7800 307"	1200 2650	850 1875

THIS CRANE CAN BE certified for rescue boats and can be produced in compliance with S.O.L.A.S. requirements, upon request.

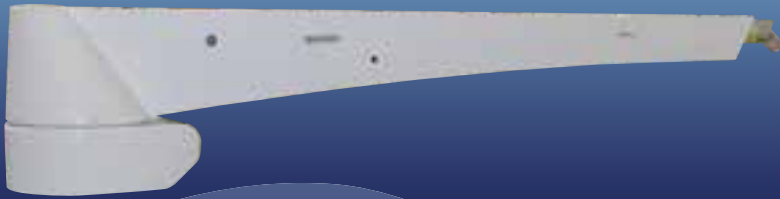
ATTENTION! In case of certification request, dimensions and technical specifications may undergo significant variations.

Please contact our Technical Department for information about the available certifications for the different crane models.

Standard rotation 359°

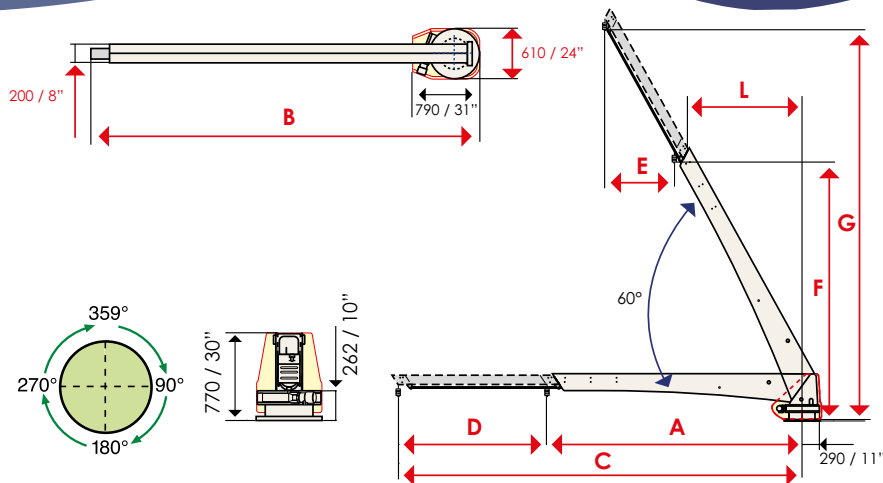


TELESCOPIC FLYBRIDGE CRANE 3083



model	A (mm/ inch)	B (mm/ inch)	C (mm/ inch)	D (mm/ inch)	E (mm/ inch)	F (mm/ inch)	G (mm/ inch)	L (mm/ inch)	Cable length (mm inch)	capacity standard (kg/lbs)	weight (kg/lbs)
3083/60	4180 165"	4570 180"	5970 235"	1800 71"	900 35"	4215 166"	5770 227"	2135 84"	8000 315"	1200 2650	952 2100

This crane can be certified for rescue boats and can be produced in compliance with S.O.L.A.S. requirements, upon request.
ATTENTION! In case of certification request, dimensions and technical specifications may undergo significant variations.
 Please contact our Technical Department or information about the available certifications available for the different crane models.
 Standard rotation 359°



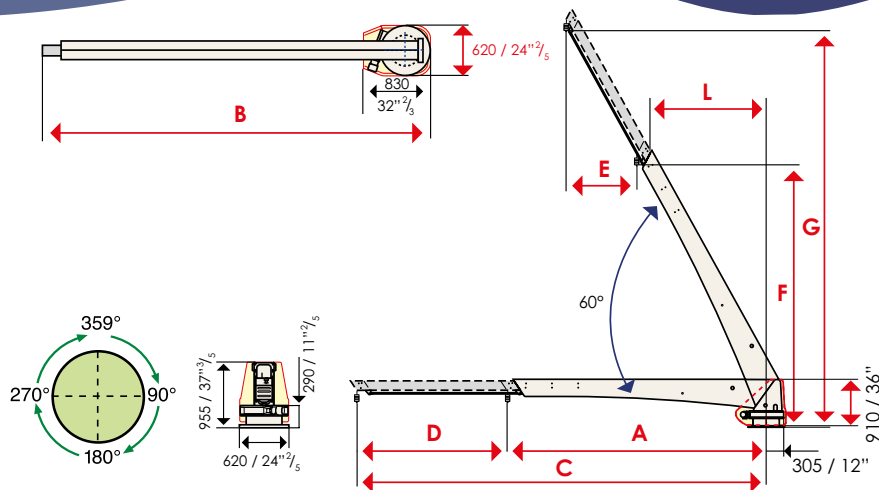
TELESCOPIC FLYBRIDGE CRANE 3085



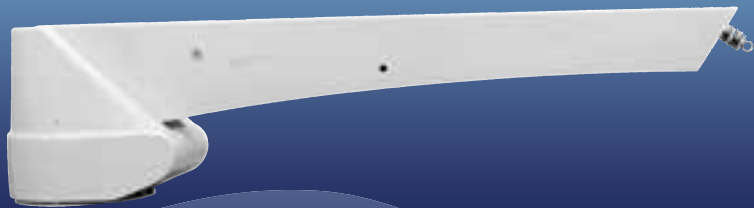
model	A (mm/ inch)	B (mm/ inch)	C (mm/ inch)	D (mm/ inch)	E (mm/ inch)	F (mm/ inch)	G (mm/ inch)	L (mm/ inch)	Cable length (mm inch)	capacity standard (kg/lbs)	capacity optional (kg/lbs)	weight (kg/lbs)
3085/50	3500 138"	3940 155"	5000 197"	1500 59"	750 30"	3655 144"	4960 195"	1800 71"	8000 315"	1500 3300	1700 3700	1150 2530
3085/60	4140 163"	4540 179"	5940 234"	1800 71"	900 35"	4400 173"	5960 235"	2110 83"	8000 315"	1500 3300	1700 3700	1198 2640
3085/65	4140 163"	4540 179"	6440 254"	2300 91"	1150 45"	4400 173"	6400 252"	2110 83"	8000 315"	1500 3300	- -	1227 2700

This crane can be certified for rescue boats and can be produced in compliance with S.O.L.A.S. requirements, upon request.
ATTENTION! In case of certification request, dimensions and technical specifications may undergo significant variations.
 Please contact our Technical Department for information about the available certifications for the different crane models.
 Standard rotation 359°

N.B. For this davit model, the optional configuration with fixed base and rotating turret is also available (see model 3076 and 3083). Please get in touch with our Technical Department.



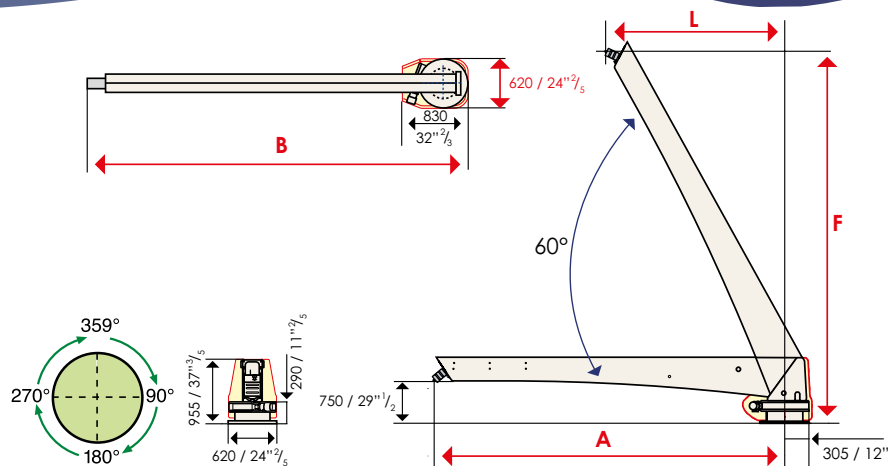
TELESCOPIC FLYBRIDGE CRANE 3086



model	A (mm/inch)	B (mm/inch)	F (mm/inch)	L (mm/inch)	Cable length (mm inch)	capacity standard (kg/lbs)	weight (kg/lbs)
3086/45	4465 176"	4910 193"	4700 185"	2280 90"	7200 284"	2200 4850	1210 2670
3086/50	4960 195"	5410 213"	5100 201"	2530 99"	7200 283"	2200 4850	1330 2930

This crane can be certified for rescue boats and can be produced in compliance with S.O.L.A.S. requirements, upon request. ATTENTION! In case of certification request, dimensions and technical specifications may undergo significant variations. Please contact our Technical Department for information about the available certifications for the different crane models. Standard rotation 359°

N.B. For this davit model, the optional configuration with fixed base and rotating turret is also available (see model 3076 and 3083). Please get in touch with our Technical Department.



TELESCOPIC FLYBRIDGE CRANE 3087



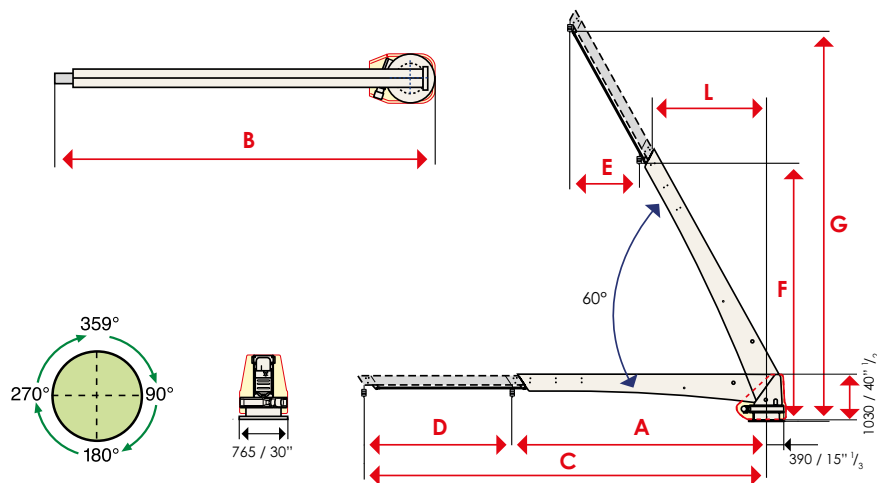
model	A (mm/ inch)	B (mm/ inch)	C (mm/ inch)	D (mm/ inch)	E (mm/ inch)	F (mm/ inch)	G (mm/ inch)	L (mm/ inch)	Cable length (mm inch)	capacity standard (kg/lbs)	capacity optional (kg/lbs)	weight (kg/lbs)
3087/60	4600 181"	5100 200"	6350 250"	1750 69"	875 34"	4350 171"	5850 230"	2440 96"	7200 283"	2000 4400	2500 5500	2150 4740
3087/65	4860 191"	5350 211"	6860 270"	2000 79"	1000 39"	4595 181"	6330 249"	2565 101"	8000 315"	2000 4400	2500 5500	2320 5100

This crane can be certified for rescue boats and can be produced in compliance with S.O.L.A.S. requirements, upon request.

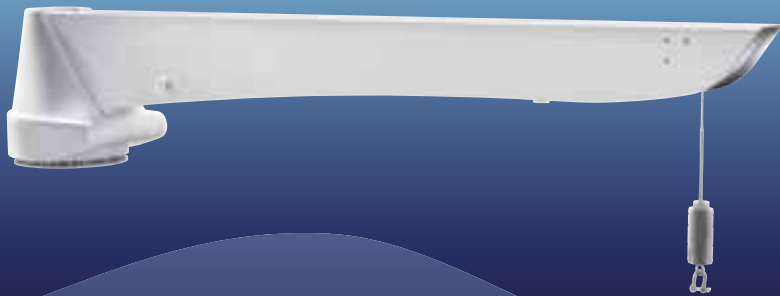
ATTENTION! In case of certification request, dimensions and technical specifications may undergo significant variations.

Please contact our Technical Department for information about the available certifications for the different crane models.

Standard rotation 359°



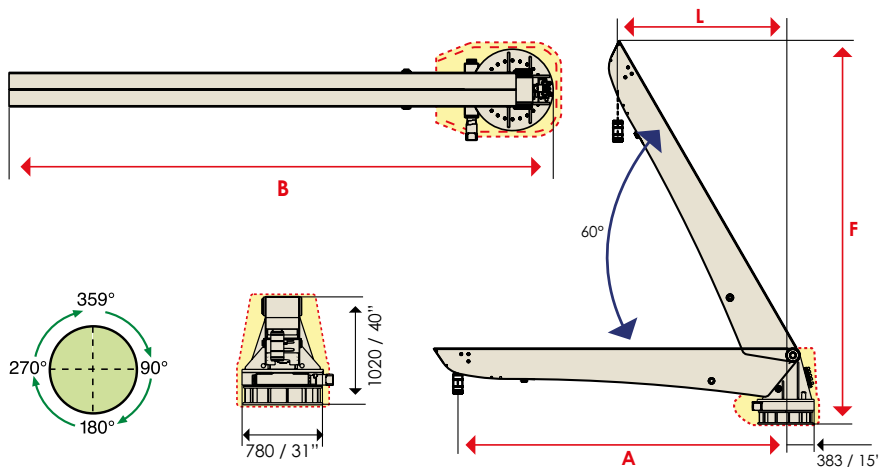
TELESCOPIC FLYBRIDGE CRANE 3088 with fixed arm



model	A (mm/inch)	B (mm/inch)	F (mm/inch)	L (mm/inch)	Cable length (mm/inch)	capacity standard (kg/lbs)	weight (kg/lbs)
3088/45	4500 177"	5230 206"	3890 153"	2280 90"	7200 284"	3500 7700	2370 5200

This crane can be certified for rescue boats and can be produced in compliance with S.O.L.A.S. requirements, upon request.
ATTENTION! In case of certification request, dimensions and technical specifications may undergo significant variations. Please contact our Technical Department for information about the available certifications for the different crane models.
 Standard rotation 359°

Cable guide system with rollers, which allows lifting also when the crane is inclined.



Архангельск (8182)63-90-72
 Астана (7172)727-132
 Астрахань (8512)99-46-04
 Барнаул (3852)73-04-60
 Белгород (4722)40-23-64
 Брянск (4832)59-03-52
 Владивосток (423)249-28-31
 Волгоград (844)278-03-48
 Вологда (8172)26-41-59
 Воронеж (473)204-51-73
 Екатеринбург (343)384-55-89
 Иваново (4932)77-34-06

Ижевск (3412)26-03-58
 Иркутск (395)279-98-46
 Казань (843)206-01-48
 Калининград (4012)72-03-81
 Калуга (4842)92-23-67
 Кемерово (3842)65-04-62
 Киров (8332)68-02-04
 Краснодар (861)203-40-90
 Красноярск (391)204-63-61
 Курск (4712)77-13-04
 Липецк (4742)52-20-81

Киргизия (996)312-96-26-47

Магнитогорск (3519)55-03-13
 Москва (495)268-04-70
 Мурманск (8152)59-64-93
 Набережные Челны (8552)20-53-41
 Нижний Новгород (831)429-08-12
 Новокузнецк (3843)20-46-81
 Новосибирск (383)227-86-73
 Омск (3812)21-46-40
 Орел (4862)44-53-42
 Оренбург (3532)37-68-04
 Пенза (8412)22-31-16

Россия (495)268-04-70

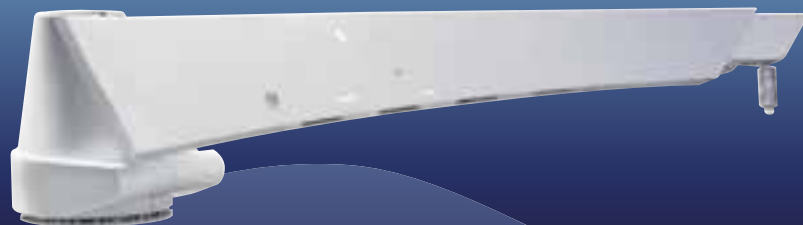
Пермь (342)205-81-47
 Ростов-на-Дону (863)308-18-15
 Рязань (4912)46-61-64
 Самара (846)206-03-16
 Санкт-Петербург (812)309-46-40
 Саратов (845)249-38-78
 Севастополь (8692)22-31-93
 Симферополь (3652)67-13-56
 Смоленск (4812)29-41-54
 Сочи (862)225-72-31
 Ставрополь (8652)20-65-13

Казахстан (772)734-952-31

Сургут (3462)77-98-35
 Тверь (4822)63-31-35
 Томск (3822)98-41-53
 Тула (4872)74-02-29
 Тюмень (3452)66-21-18
 Ульяновск (8422)24-23-59
 Уфа (347)229-48-12
 Хабаровск (4212)92-98-04
 Челябинск (351)202-03-61
 Череповец (8202)49-02-64
 Ярославль (4852)69-52-93

<https://opacmare.nt-rt.ru/> || omp@nt-rt.ru

TELESCOPIC FLYBRIDGE CRANE 3089



model	A (mm/ inch)	B (mm/ inch)	C (mm/ inch)	D (mm/ inch)	E (mm/ inch)	F (mm/ inch)	G (mm/ inch)	L (mm/ inch)	Cable length (mm inch)	capacity standard (kg/lbs)	weight (kg/lbs)
3089/70	4980 196"	5505 217"	6980 275"	2000 79"	1000 39"	4870 192"	6600 260"	2590 102"	8400 330"	3500 7700	3460 7600

This crane can be certified for rescue boats and can be produced in compliance with S.O.L.A.S. requirements, upon request.

ATTENTION! In case of certification request, dimensions and technical specifications may undergo significant variations. Please contact our Technical Department for information about the available certifications for the different crane models.
 Standard rotation 359°

