

Архангельск (8182)63-90-72
 Астана (7172)727-132
 Астрахань (8512)99-46-04
 Барнаул (3852)73-04-60
 Белгород (4722)40-23-64
 Брянск (4832)59-03-52
 Владивосток (423)249-28-31
 Волгоград (844)278-03-48
 Вологда (8172)26-41-59
 Воронеж (473)204-51-73
 Екатеринбург (343)384-55-89
 Иваново (4932)77-34-06

Ижевск (3412)26-03-58
 Иркутск (395)279-98-46
 Казань (843)206-01-48
 Калининград (4012)72-03-81
 Калуга (4842)92-23-67
 Кемерово (3842)65-04-62
 Киров (8332)68-02-04
 Краснодар (861)203-40-90
 Красноярск (391)204-63-61
 Курск (4712)77-13-04
 Липецк (4742)52-20-81

Магнитогорск (3519)55-03-13
 Москва (495)268-04-70
 Мурманск (8152)59-64-93
 Набережные Челны (8552)20-53-41
 Нижний Новгород (831)429-08-12
 Новокузнецк (3843)20-46-81
 Новосибирск (383)227-86-73
 Омск (3812)21-46-40
 Орел (4862)44-53-42
 Оренбург (3532)37-68-04
 Пенза (8412)22-31-16

Пермь (342)205-81-47
 Ростов-на-Дону (863)308-18-15
 Рязань (4912)46-61-64
 Самара (846)206-03-16
 Санкт-Петербург (812)309-46-40
 Саратов (845)249-38-78
 Севастополь (8692)22-31-93
 Симферополь (3652)67-13-56
 Смоленск (4812)29-41-54
 Сочи (862)225-72-31
 Ставрополь (8652)20-65-13

Сургут (3462)77-98-35
 Тверь (4822)63-31-35
 Томск (3822)98-41-53
 Тула (4872)74-02-29
 Тюмень (3452)66-21-18
 Ульяновск (8422)24-23-59
 Уфа (347)229-48-12
 Хабаровск (4212)92-98-04
 Челябинск (351)202-03-61
 Череповец (8202)49-02-64
 Ярославль (4852)69-52-93

Киргизия (996)312-96-26-47

Россия (495)268-04-70

Казахстан (772)734-952-31

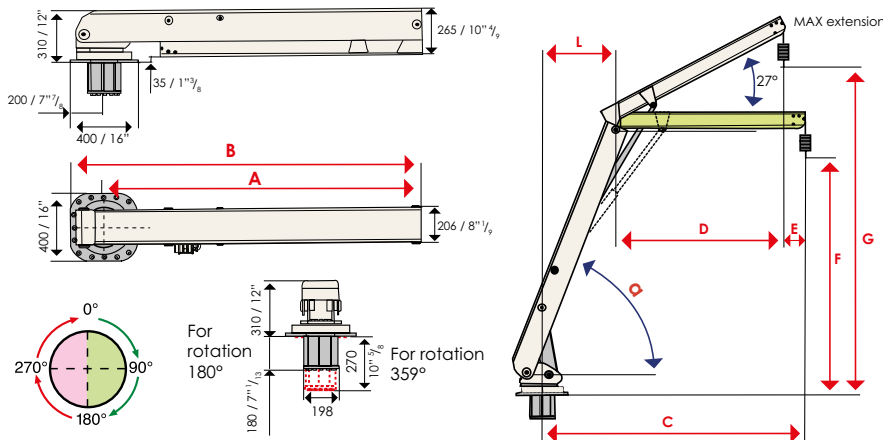
<https://opacmare.nt-rt.ru/> || omp@nt-rt.ru

ELBOW CRANE 3047



model	A (mm/ inch)	B (mm/ inch)	C (mm/ inch)	D (mm/ inch)	F (mm/ inch)	G (mm/ inch)	L (mm/ inch)	α	Cable length (mm inch)	capacity standard (kg/lbs)	capacity optional (kg/lbs)	weight (kg/lbs)
3047/22	1890 74"	2090 82"	2095 82"	1300 51"	1845 73"	2500 98"	1880 74"	68°	5700 244" 4600 181"	300 700	400 500	326
										-	900 1100	720
3047/26	2140 84"	2340 96"	2435 96"	1515 60"	2400 94"	3170 125"	2185 86"	68°	5700 244" 4600 181"	300 700	400 900	363
										-	-	800
3047/28	2240 88"	2490 98"	2080 82"	1605 63"	2290 90"	3180 125"	1770 70"	80°	5400 213"	350 800	- -	398
										-	-	880

Standard rotation 180°, by means of an actuator.
 Optional rotation 359°, by means of an actuator.



ELBOW CRANE 3075



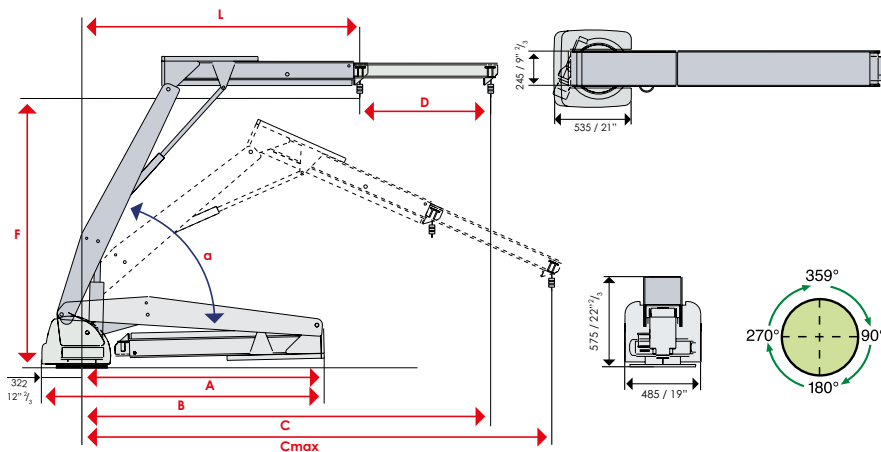
model	A (mm/ inch)	B (mm/ inch)	C (mm/ inch)	C max (mm/inch)	D (mm/ inch)	F (mm/ inch)	G (mm/ inch)	L (mm/ inch)	α	Cable length (mm inch)	capacity standard (kg/lbs)	weight (kg/lbs)
3075/30	1700 67"	2020 79"	2830 111"	3030 119"	920 36"	2030 80"	2060 81"	1900 75"	69°	4400 173" 3500 138"	300 500 700 1100	388 850
3075/37	1960 77"	2280 90"	3400 134"	3880 153"	1110 44"	2235 88"	2235 88"	2290 90"	69°	5700 224" 4500 177"	300 500 700 1100	434 950
3075/37.01	1960 77"	2280 90"	3350 132"	3830 151"	1060 42"	2235 88"	2820 111"	1850 73"	80°	5700 224" 4500 177"	300 500 700 1100	434 950

THIS CRANE CAN BE certified for rescue boats and can be produced in compliance with S.O.L.A.S. requirements, upon request.

ATTENTION! In case of certification request, dimensions and technical specifications may undergo significant variations.

Please contact our Technical Department for information about the available certifications for the different crane models.

Standard rotation 359°

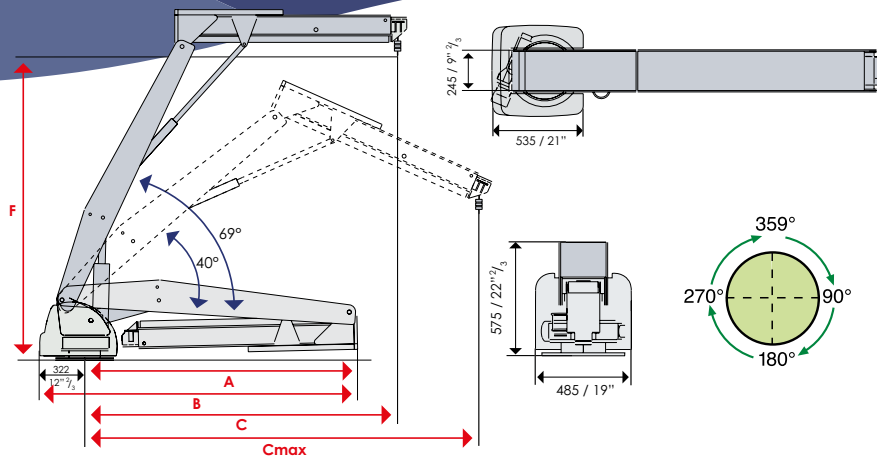


ELBOW CRANE 3048



model	A (mm/inch)	B (mm/inch)	C (mm/inch)	C max (mm/inch)	F (mm/inch)	Cable length (mm/inch)	capacity standard (kg/lbs)	weight (kg/lbs)
3048/26	1930 76"	2250 89"	2260 89"	2865 113"	2230 88"	4500 177"	400 880	404 890
3048/31	2330 92"	2650 104"	2800 110"	3510 138"	2575 101"	7500 295"	500 1100	431 950

This crane can be certified for rescue boats and can be produced in compliance with S.O.L.A.S. requirements, upon request.
 ATTENTION! In case of certification request, dimensions and technical specifications may undergo significant variations.
 Please contact our Technical Department for information about the available certifications for the different crane models.
 Standard rotation 359°



ELBOW CRANE 3076



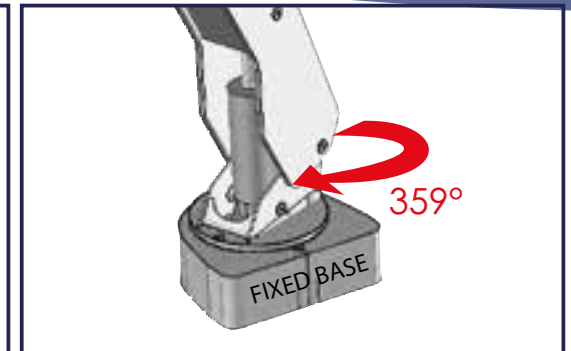
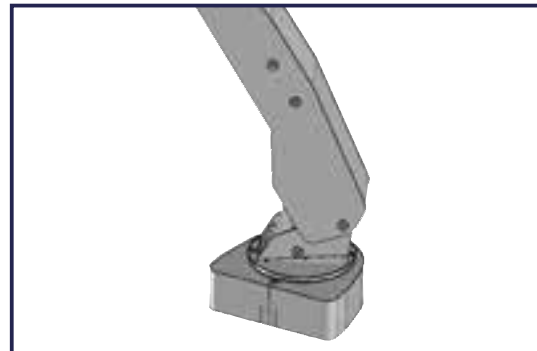
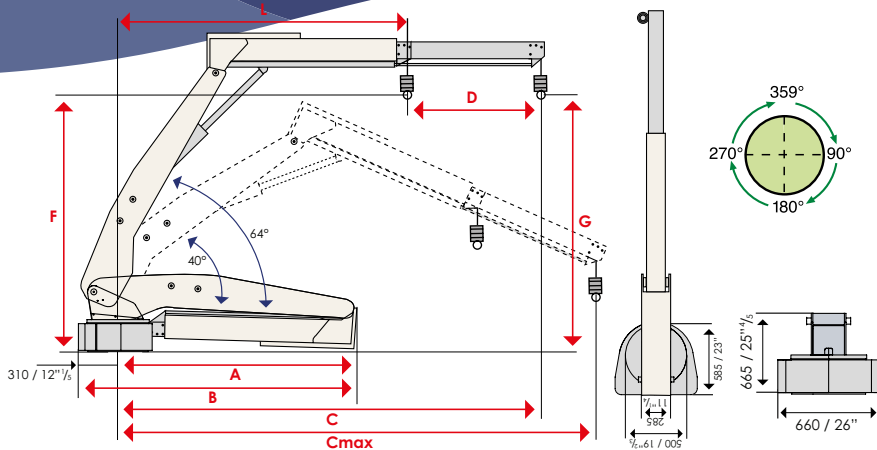
model	A (mm/ inch)	B (mm/ inch)	C (mm/ inch)	C max (mm/inch)	D (mm/ inch)	F (mm/ inch)	G (mm/ inch)	L (mm/ inch)	Cable length (mm inch)	capacity standard (kg/lbs)	weight (kg/lbs)
3076/34	2015 79"	2330 91"	3550 140"	4070 160"	1110 44"	2245 88"	2245 88"	2440 96"	5700 224"	500 800 1100 1800	760 1670

THIS CRANE CAN BE certified for rescue boats and can be produced in compliance with S.O.L.A.S. requirements, upon request.

ATTENTION! In case of certification request, dimensions and technical specifications may undergo significant variations.

Please contact our Technical Department for information about the available certifications for the different crane models.

Standard rotation 359°



ELBOW CRANE 3078



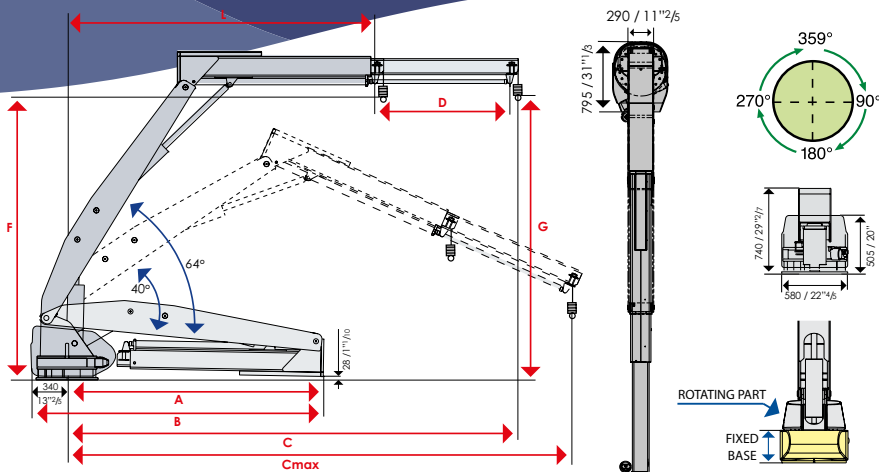
model	A (mm/ inch)	B (mm/ inch)	C (mm/ inch)	C max (mm/inch)	D (mm/ inch)	F (mm/ inch)	G (mm/ inch)	L (mm/ inch)	Cable length (mm inch)	capacity standard (kg/lbs)	weight (kg/lbs)
3078/41	2618 103"	2949 116	4108 162"	4765 187" 1/2	950 37" 1/2	3122 123"	3122 123"	3082 121"	- -	550 1212	2800 6173
3078/45	2765 109"	3110 123"	4540 179"	5170 203"	1100 43"	3030 119"	3030 119"	3440 135"	7800 307"	1200 2650	1294 2850
3078/50	2925 115"	3225 127"	4560 180"	5340 210"	1100 43"	3230 127"	3230 127"	3460 136"	7800 307"	1500 3300	1780 3920

THIS CRANE CAN BE certified for rescue boats and can be produced in compliance with S.O.L.A.S. requirements, upon request.

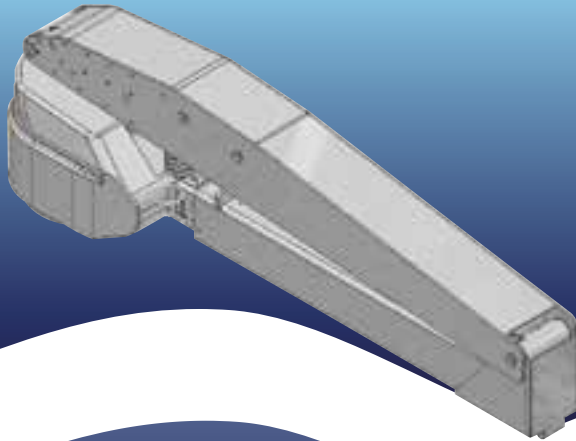
ATTENTION! In case of certification request, dimensions and technical specifications may undergo significant variations.

Please contact our Technical Department for information about the available certifications for the different crane models.

Standard rotation 359°

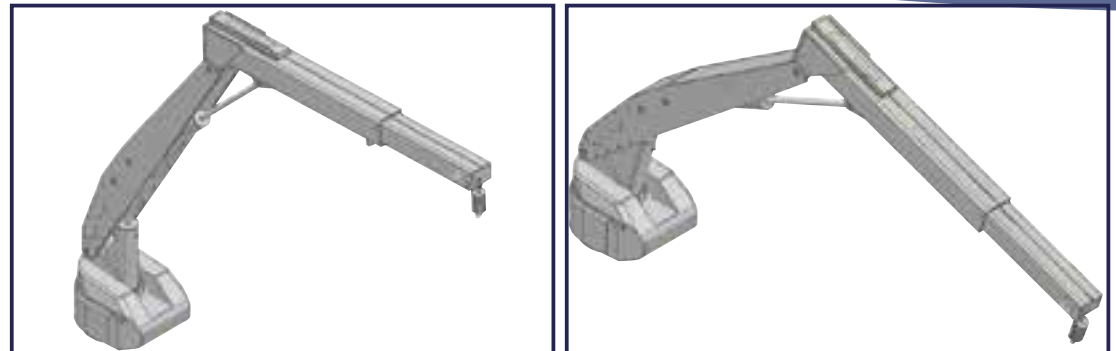
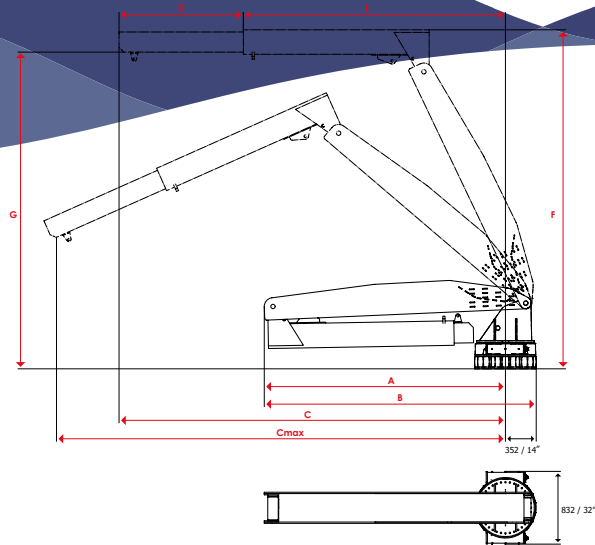


ELBOW CRANE 3079

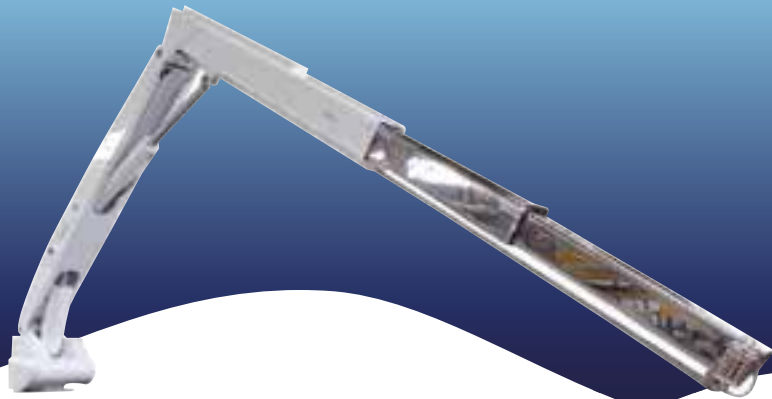


model	A (mm/ inch)	B (mm/ inch)	C (mm/ inch)	C max (mm/inch)	D (mm/ inch)	F (mm/ inch)	G (mm/ inch)	L (mm/ inch)	capacity standard (kg/lbs)	weight (kg/lbs)
3079/45	2618 103"	2949 116	4108 162"	4765 187" 1/2	950 37"1/2	3122 123"	3122 123"	3082 121"	550 1212	2800 6173

SWL 2000 kg



ELBOW CRANE 3071



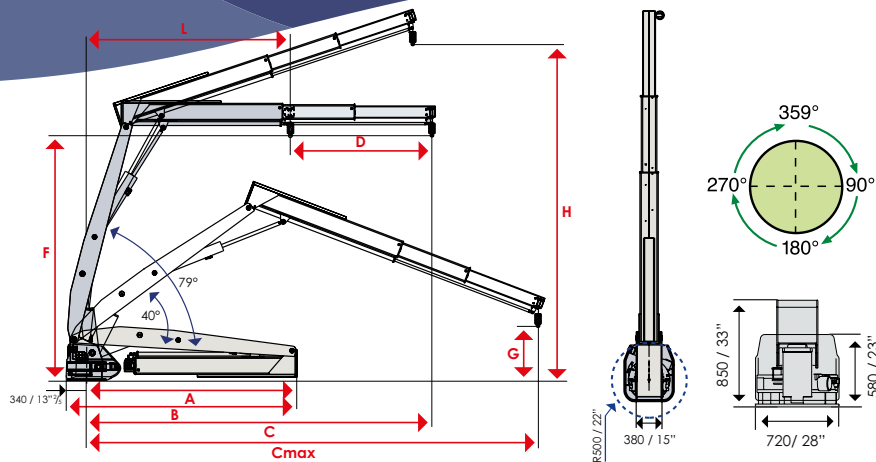
model	A (mm/ inch)	B (mm/ inch)	C (mm/ inch)	C max (mm/ inch)	D (mm/ inch)	F (mm/ inch)	G (mm/ inch)	H (mm/ inch)	L (mm/ inch)	Cable length (mm inch)	capacity standard (kg/lbs)	weight (kg/lbs)
3071/70	3270 129"	3610 142"	5370 212"	7020 276"	2200 87"	3810 150"	850 33"	5235 206"	3000 118"	7800 307"	1200 2650	2080 4580

THIS CRANE CAN BE certified for rescue boats and can be produced in compliance with S.O.L.A.S. requirements, upon request.

ATTENTION! In case of certification request, dimensions and technical specifications may undergo significant variations.

Please contact our Technical Department for information about the available certifications for the different crane models.

Standard rotation 359°



Архангельск (8182)63-90-72
 Астана (7172)727-132
 Астрахань (8512)99-46-04
 Барнаул (3852)73-04-60
 Белгород (4722)40-23-64
 Брянск (4832)59-03-52
 Владивосток (423)249-28-31
 Волгоград (844)278-03-48
 Вологда (8172)26-41-59
 Воронеж (473)204-51-73
 Екатеринбург (343)384-55-89
 Иваново (4932)77-34-06

Ижевск (3412)26-03-58
 Иркутск (395)279-98-46
 Казань (843)206-01-48
 Калининград (4012)72-03-81
 Калуга (4842)92-23-67
 Кемерово (3842)65-04-62
 Киров (8332)68-02-04
 Краснодар (861)203-40-90
 Красноярск (391)204-63-61
 Курск (4712)77-13-04
 Липецк (4742)52-20-81

Магнитогорск (3519)55-03-13
 Москва (495)268-04-70
 Мурманск (8152)59-64-93
 Набережные Челны (8552)20-53-41
 Нижний Новгород (831)429-08-12
 Новокузнецк (3843)20-46-81
 Новосибирск (383)227-86-73
 Омск (3812)21-46-40
 Орел (4862)44-53-42
 Оренбург (3532)37-68-04
 Пенза (8412)22-31-16

Пермь (342)205-81-47
 Ростов-на-Дону (863)308-18-15
 Рязань (4912)46-61-64
 Самара (846)206-03-16
 Санкт-Петербург (812)309-46-40
 Саратов (845)249-38-78
 Севастополь (8692)22-31-93
 Симферополь (3652)67-13-56
 Смоленск (4812)29-41-54
 Сочи (862)225-72-31
 Ставрополь (8652)20-65-13

Сургут (3462)77-98-35
 Тверь (4822)63-31-35
 Томск (3822)98-41-53
 Тула (4872)74-02-29
 Тюмень (3452)66-21-18
 Ульяновск (8422)24-23-59
 Уфа (347)229-48-12
 Хабаровск (4212)92-98-04
 Челябинск (351)202-03-61
 Череповец (8202)49-02-64
 Ярославль (4852)69-52-93

Киргизия (996)312-96-26-47

Россия (495)268-04-70

Казахстан (772)734-952-31

<https://opacmare.nt-rt.ru/> || omp@nt-rt.ru

ELBOW CRANE 3077



model	A (mm/ inch)	B (mm/ inch)	C (mm/ inch)	C max (mm/inch)	D (mm/ inch)	F (mm/ inch)	G (mm/ inch)	L (mm/ inch)	Cable length (mm inch)	capacity standard (kg/lbs)	weight (kg/lbs)
3077/42	2400 95"	2740 108"	4225 166"	4710 185"	1260 50"	2800 110"	2800 110"	2970 117"	5400 213" 6800 268"	1000 800 2200 1800	950 2100

THIS CRANE CAN BE certified for rescue boats and can be produced in compliance with S.O.L.A.S. requirements, upon request.

ATTENTION! In case of certification request, dimensions and technical specifications may undergo significant variations.

Please contact our Technical Department for information about the available certifications for the different crane models.

Standard rotation 359°

