

Архангельск (8182)63-90-72
 Астана (7172)727-132
 Астрахань (8512)99-46-04
 Барнаул (3852)73-04-60
 Белгород (4722)40-23-64
 Брянск (4832)59-03-52
 Владивосток (423)249-28-31
 Волгоград (844)278-03-48
 Вологда (8172)26-41-59
 Воронеж (473)204-51-73
 Екатеринбург (343)384-55-89
 Иваново (4932)77-34-06

Ижевск (3412)26-03-58
 Иркутск (395)279-98-46
 Казань (843)206-01-48
 Калининград (4012)72-03-81
 Калуга (4842)92-23-67
 Кемерово (3842)65-04-62
 Киров (8332)68-02-04
 Краснодар (861)203-40-90
 Красноярск (391)204-63-61
 Курск (4712)77-13-04
 Липецк (4742)52-20-81

Магнитогорск (3519)55-03-13
 Москва (495)268-04-70
 Мурманск (8152)59-64-93
 Набережные Челны (8552)20-53-41
 Нижний Новгород (831)429-08-12
 Новокузнецк (3843)20-46-81
 Новосибирск (383)227-86-73
 Омск (3812)21-46-40
 Орел (4862)44-53-42
 Оренбург (3532)37-68-04
 Пенза (8412)22-31-16

Пермь (342)205-81-47
 Ростов-на-Дону (863)308-18-15
 Рязань (4912)46-61-64
 Самара (846)206-03-16
 Санкт-Петербург (812)309-46-40
 Саратов (845)249-38-78
 Севастополь (8692)22-31-93
 Симферополь (3652)67-13-56
 Смоленск (4812)29-41-54
 Сочи (862)225-72-31
 Ставрополь (8652)20-65-13

Сургут (3462)77-98-35
 Тверь (4822)63-31-35
 Томск (3822)98-41-53
 Тула (4872)74-02-29
 Тюмень (3452)66-21-18
 Ульяновск (8422)24-23-59
 Уфа (347)229-48-12
 Хабаровск (4212)92-98-04
 Челябинск (351)202-03-61
 Череповец (8202)49-02-64
 Ярославль (4852)69-52-93

Киргизия (996)312-96-26-47

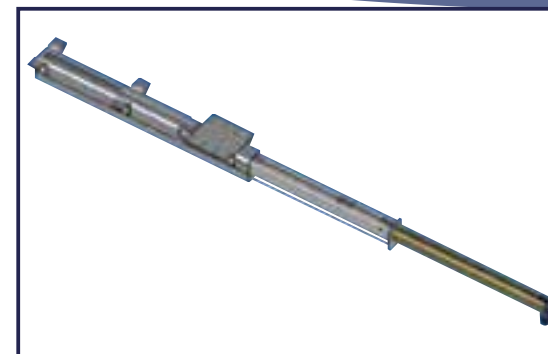
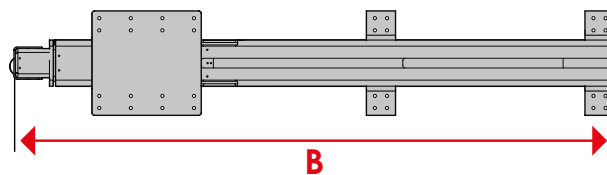
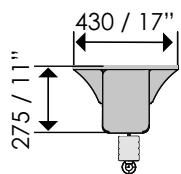
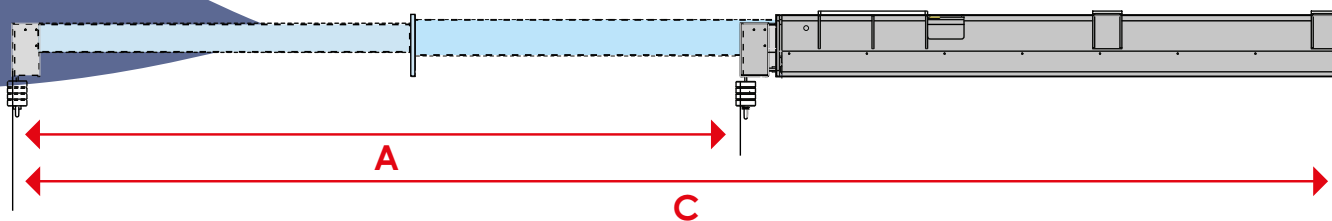
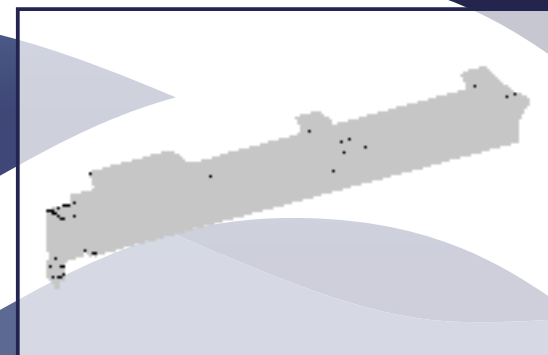
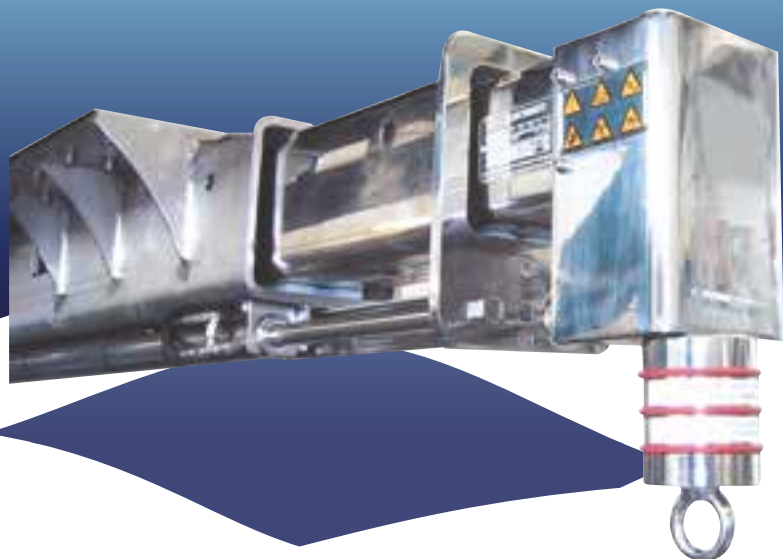
Россия (495)268-04-70

Казахстан (772)734-952-31

<https://opacmare.nt-rt.ru/> || omp@nt-rt.ru

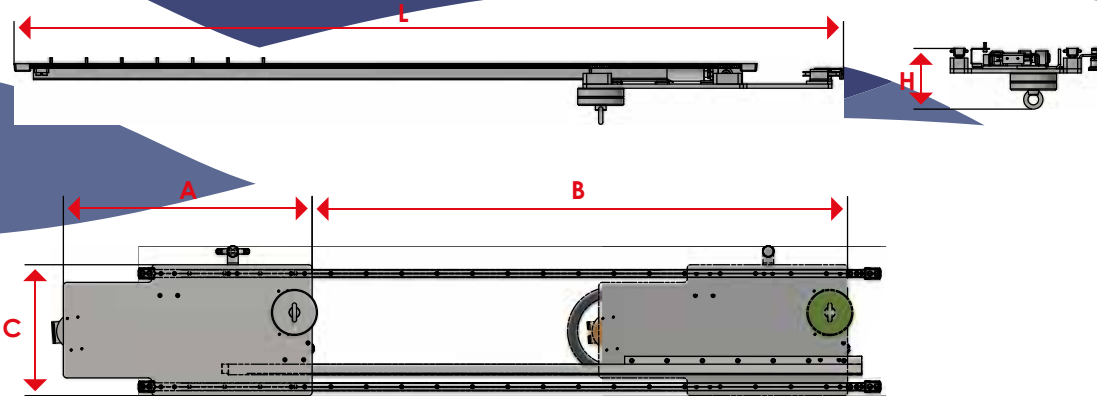
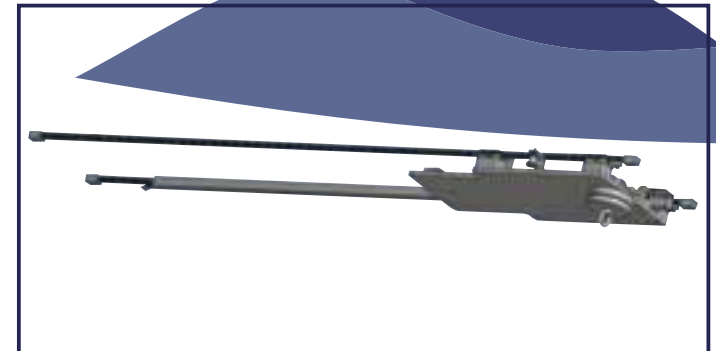
CEILING CRANES 3122

model	A (mm/inch)	B (mm/inch)	C (mm/inch)	capacity standard (kg/lbs)	capacity optional (kg/lbs)	weight (kg/lbs)
3122/53	3000 118"	2300 90"	5380 212"	350 800	500 1100	415 900
3122/61	3500 138"	2600 102"	6180 243"	350 800	- -	470 1030



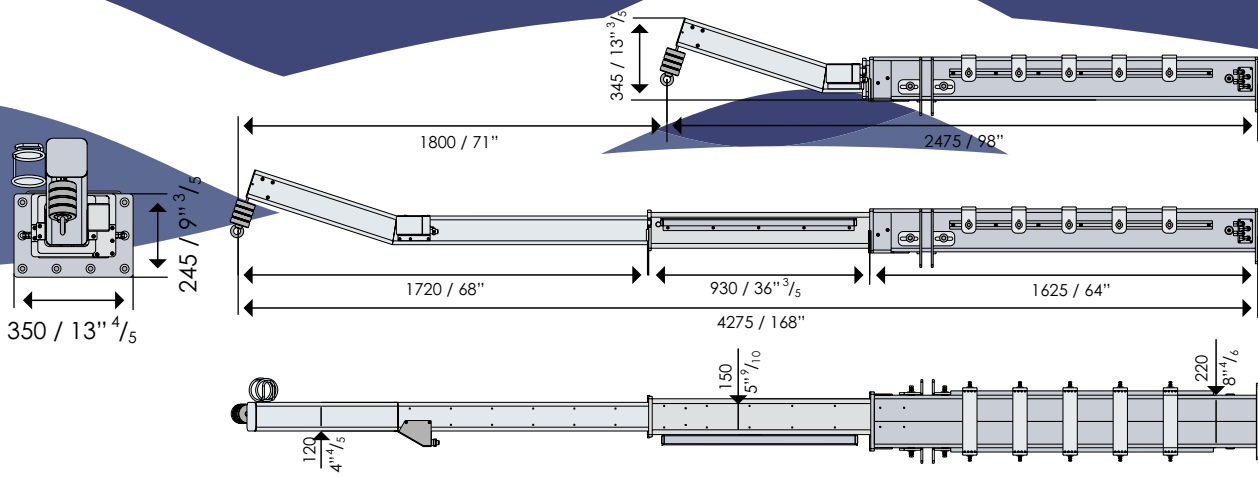
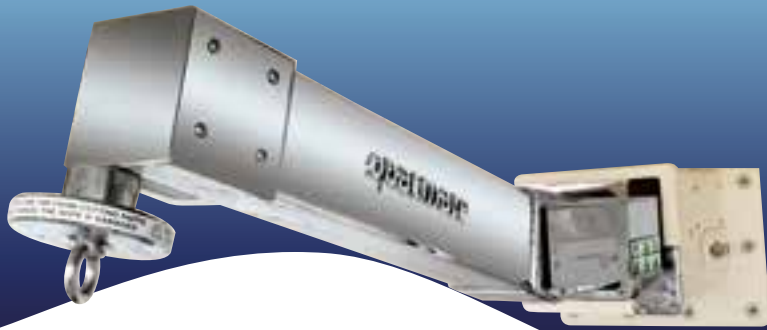
CEILING CRANES 3190

model	A (mm/inch)	B (mm/inch)	C (mm/inch)	L (mm/inch)	H (mm/inch)
3190	703 27" 7/10	1513 59" 1/2	370 14" 1/2	2343 32" 1/4	171 6" 3/4



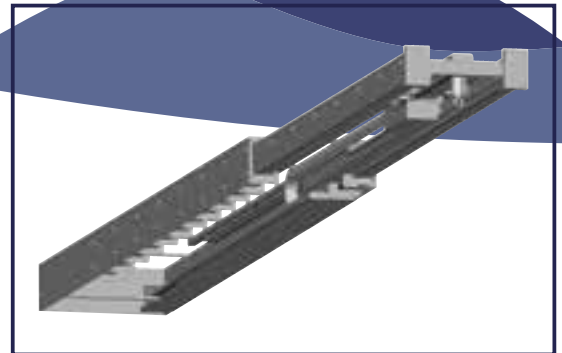
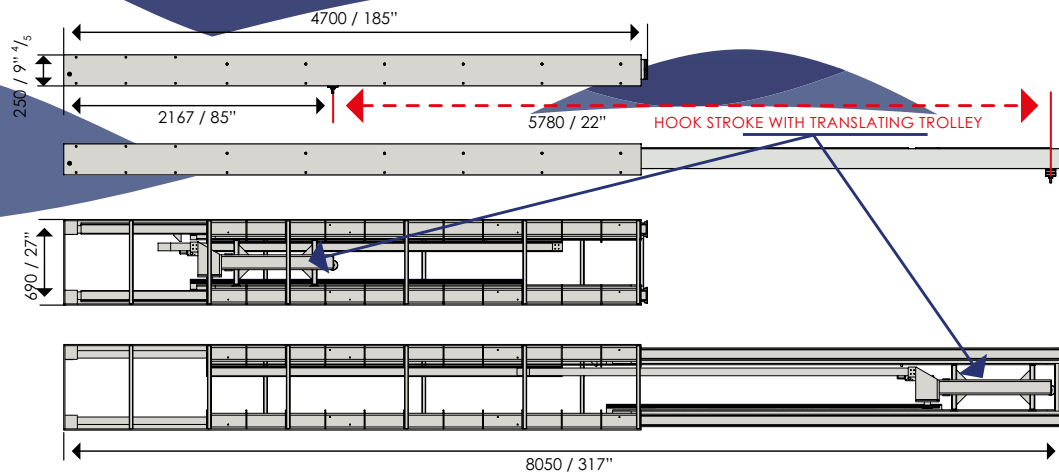
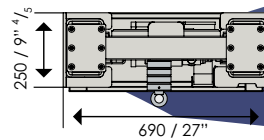
CEILING CRANES 3123

model	capacity standard (kg/lbs)	weight (kg/lbs)
3123/18	500 1100	190 142



CEILING CRANES 3130

model	Cable length (mm inch)	capacity standard (kg/lbs)	weight (kg/lbs)
3130/76	1800 70"	500 1100	1220 2700

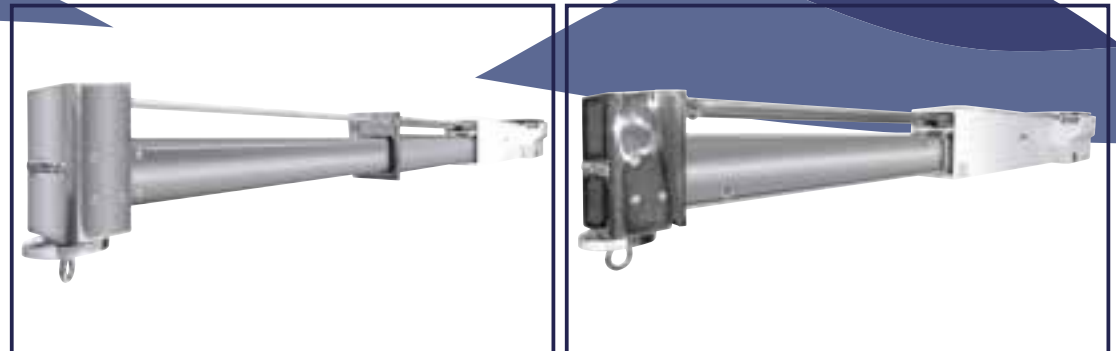
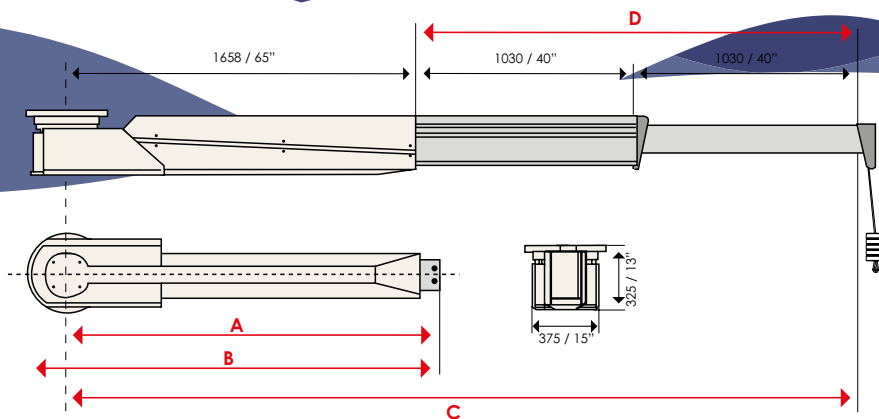


CEILING CRANES 3153

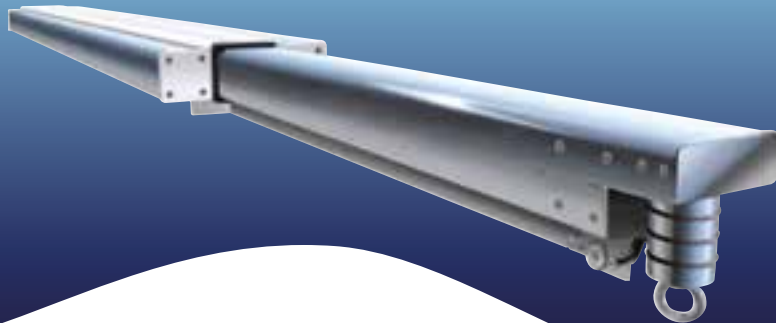


model	A (mm/inch)	B (mm/inch)	C (mm/inch)	D (mm/inch)	Cable length (mm inch)	capacity standard (kg/lbs)	weight (kg/lbs)
3153/40	1800 71"	2080 82"	3860 152"	2060 81"	3600 142"	500 1100	443 980
3153/50	2185 86"	2490 98"	4985 196"	2800 110"	4000 157"	500 1100	640 1410

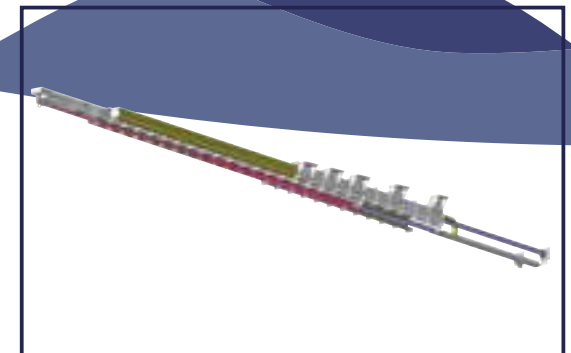
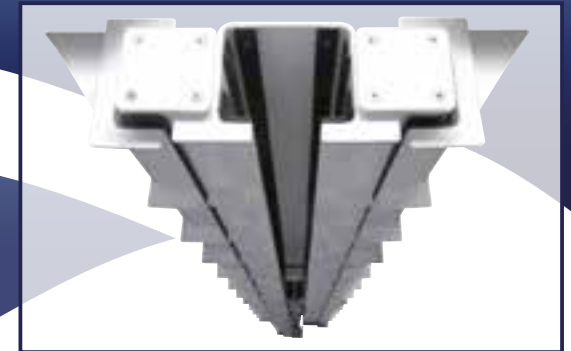
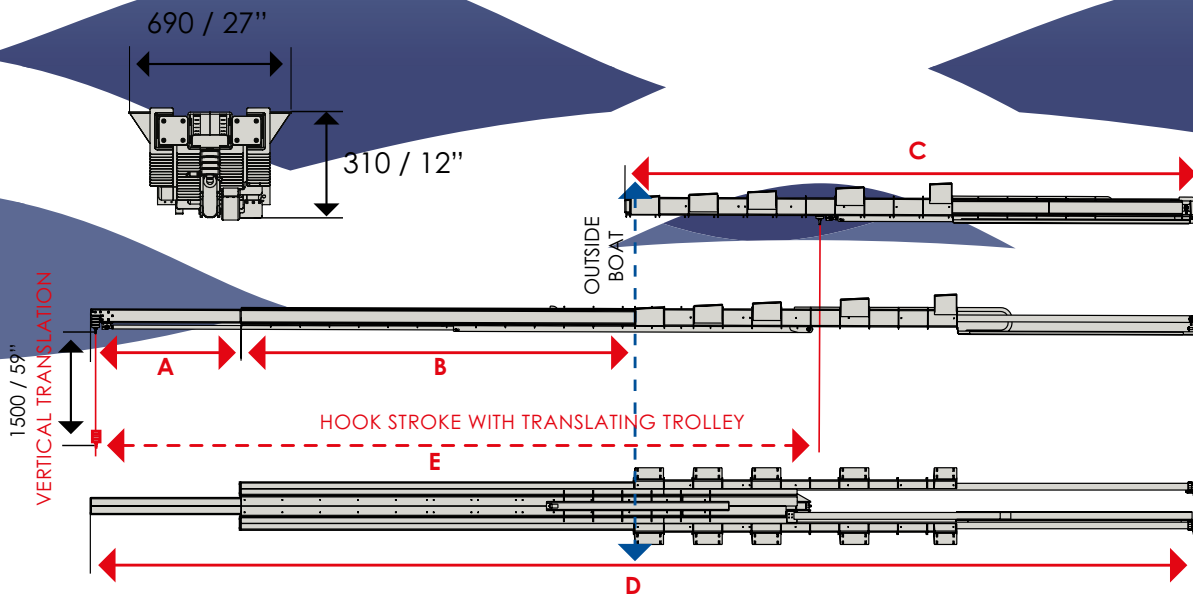
Standard rotation 180° by means of an actuator.
Optional rotation 360° by means of an actuator.



CEILING CRANES 3131

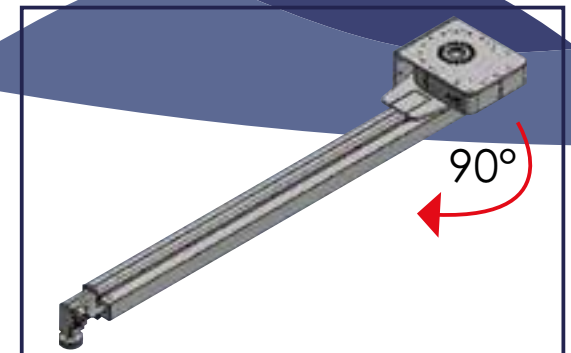
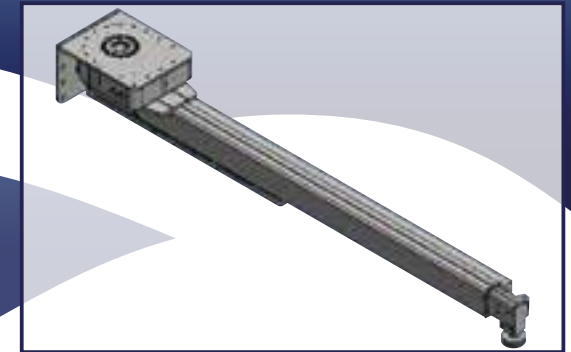
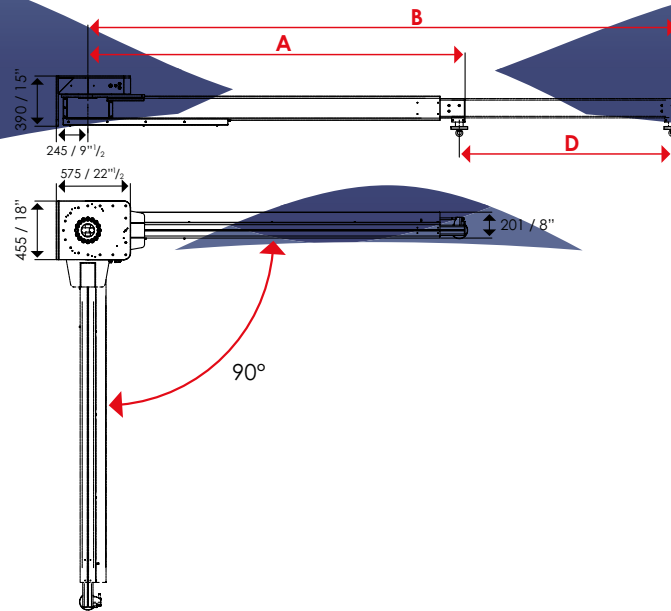
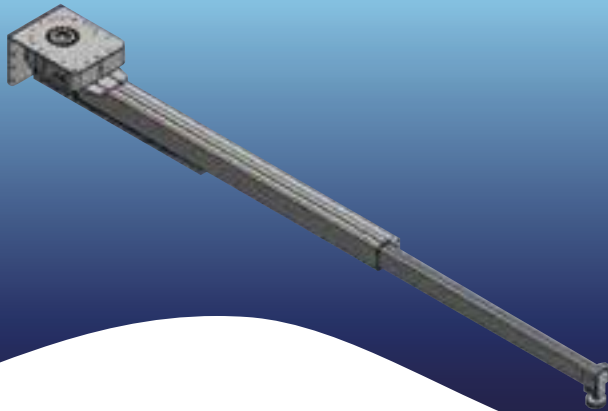


model	A (mm/inch)	B (mm/inch)	C (mm/inch)	D (mm/inch)	E (mm/inch)	capacity standard (kg/lbs)	weight (kg/lbs)
3131/21	408 16"	1161 45" 1/2	1845 72" 1/2	3414 134" 1/2	2050 80" 1/2	600 1323	410 904
3131/70	1340 53"	3500 137" 1/2	5140 202"	9980 393"	6550 258"	700 1550	985 2172



CEILING CRANES 3152

model	A (mm/inch)	B (mm/inch)	D (mm/inch)	capacity standard (kg/lbs)	weight (kg/lbs)
3152/24	2930 115"	4585 180"1/2	1655 65"	600 1320	410 904

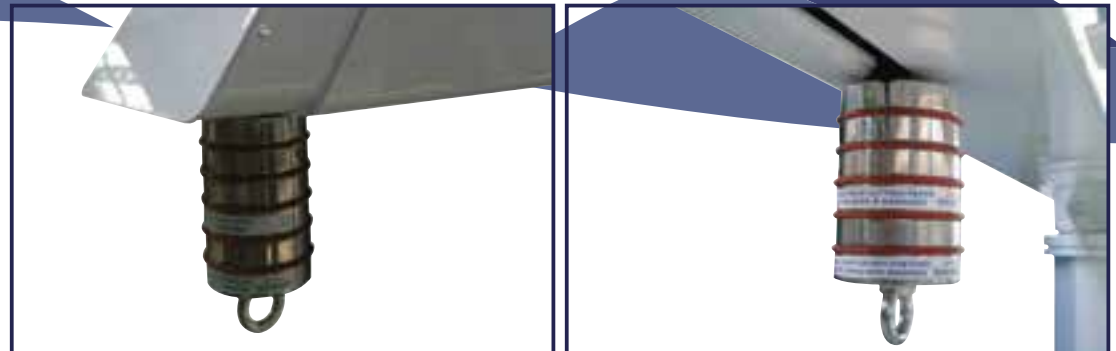
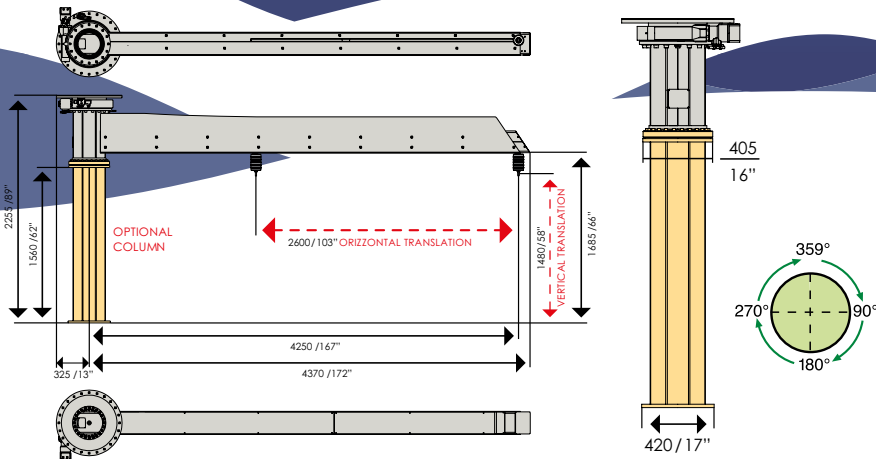


CEILING CRANES 3121



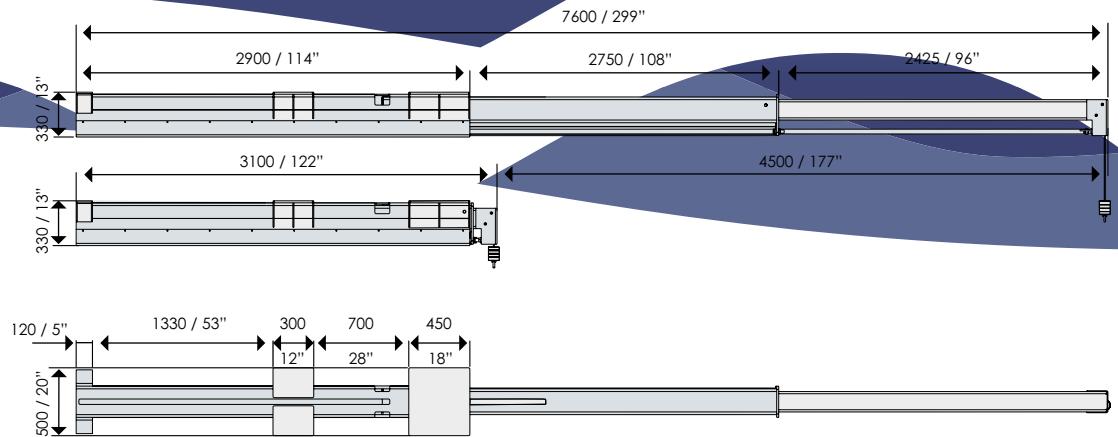
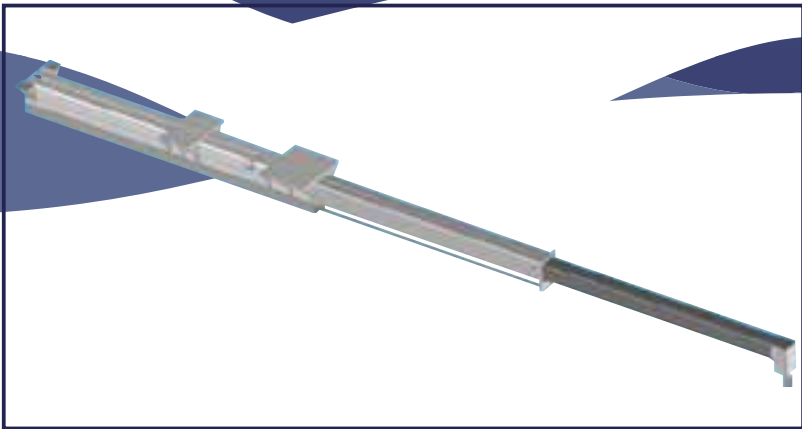
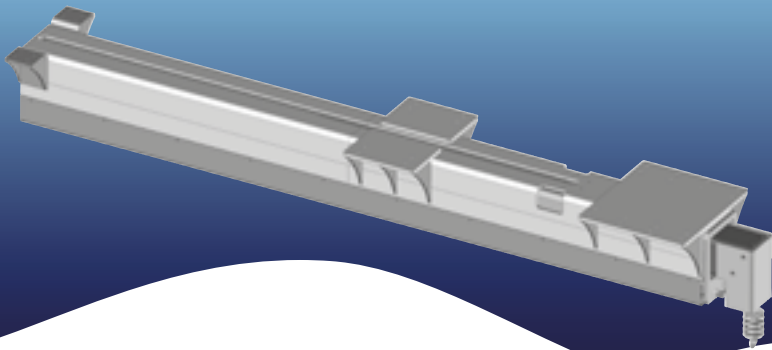
model	capacity standard (kg/lbs)	weight (kg/lbs)
3121/50	700 1550	860 1900

Standard rotation 359°.



CEILING CRANES 3124

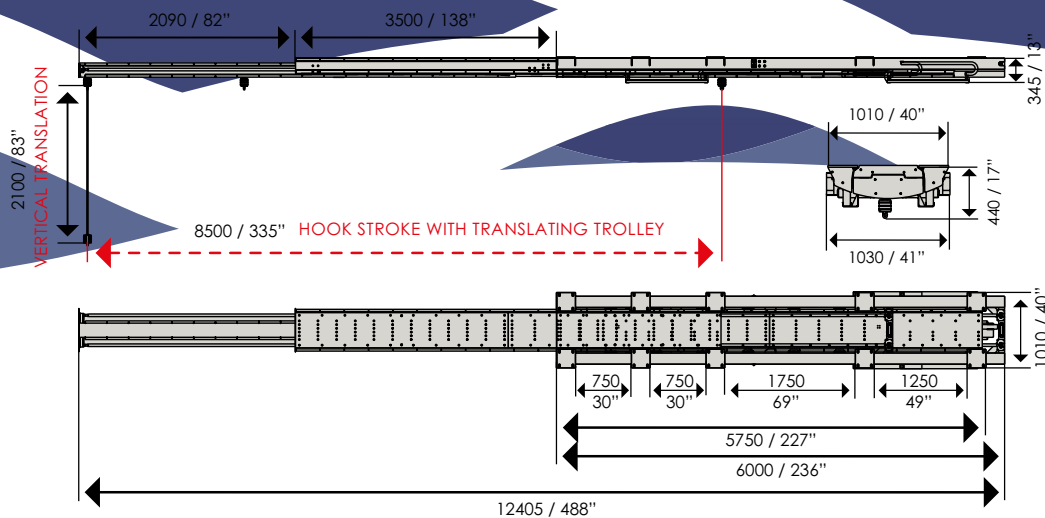
model	capacity standard (kg/lbs)	weight (kg/lbs)
3124/45	700 1550	512 1100



CEILING CRANES 3132

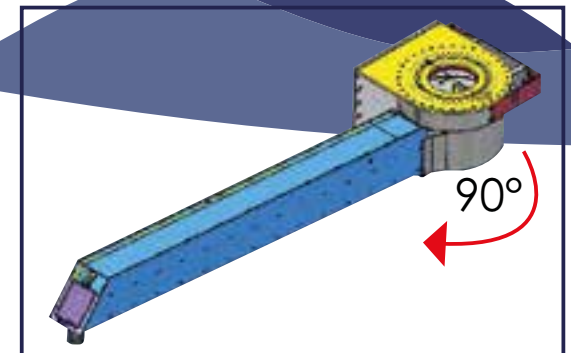
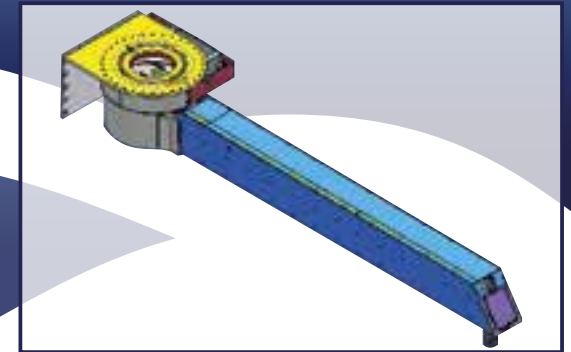
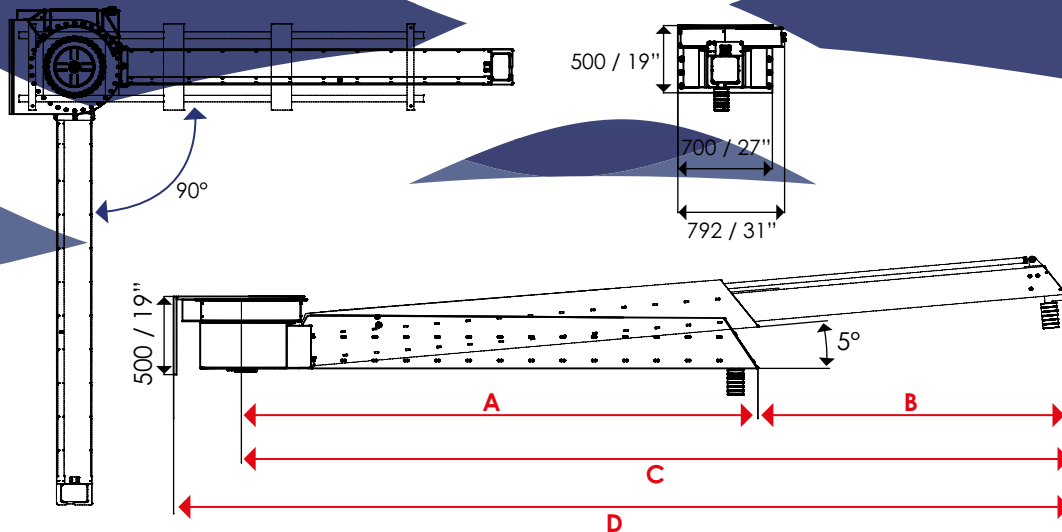
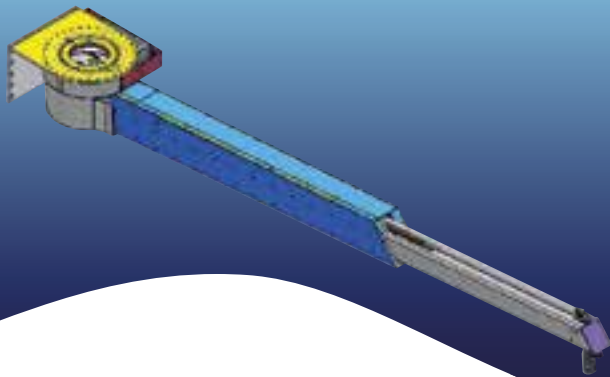


model	capacity standard (kg/lbs)	weight (kg/lbs)
3132/80	700 1550	985 2170



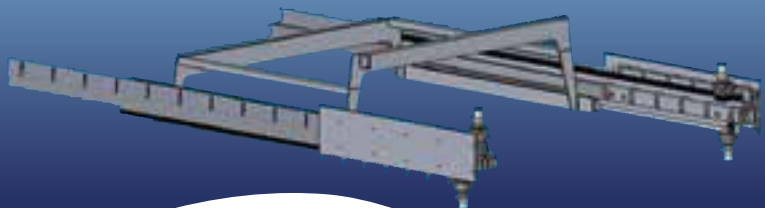
CEILING CRANES 3195

model	A (mm/inch)	B (mm/inch)	C (mm/inch)	D (mm/inch)	capacity standard (kg/lbs)	weight (kg/lbs)
3195/53	3732 147"	1993 78"1/2	5725 225"	5292 208"	1100 2425	1070 2359

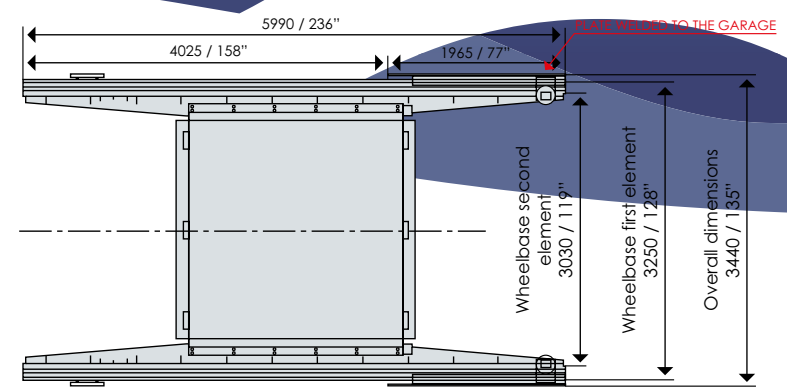
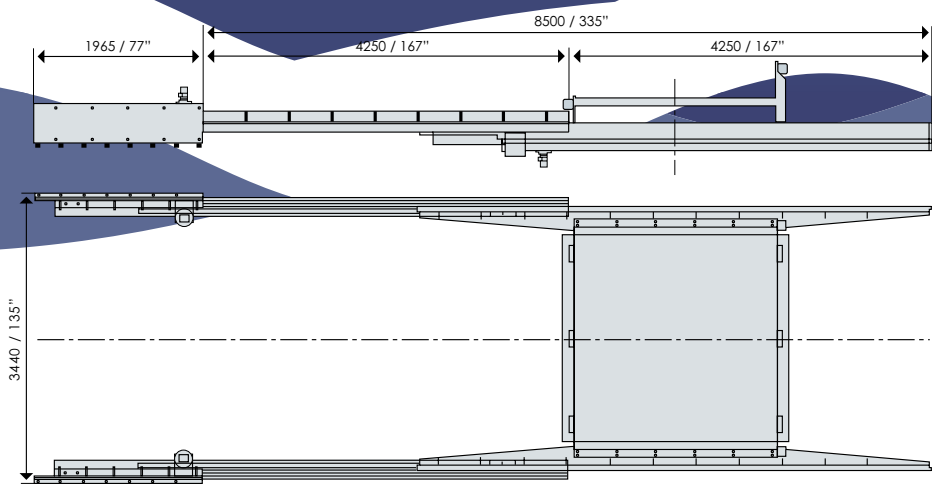


CEILING CRANES 3160

model	capacity standard (kg/lbs)	weight (kg/lbs)
3160	1500 3300	1280 2800

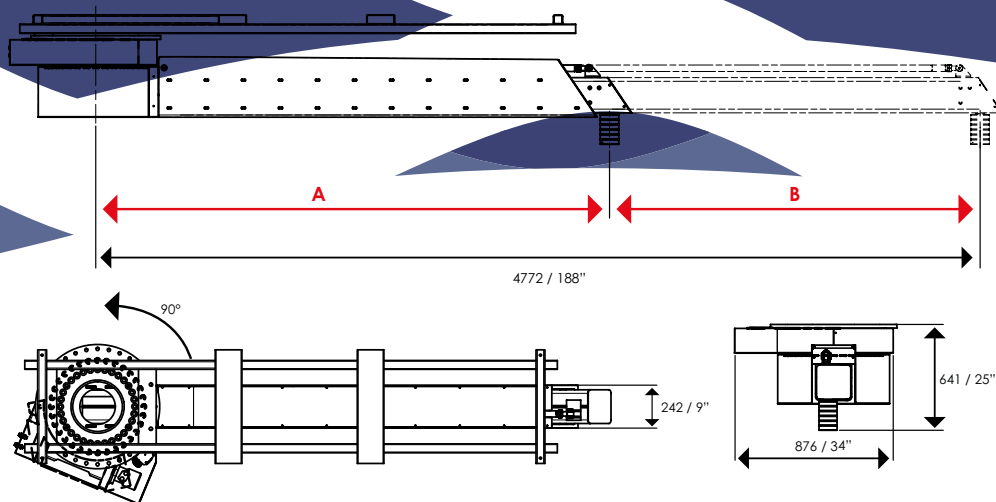


STANDARD CAPACITY 1500 Kg / 3300 lbs



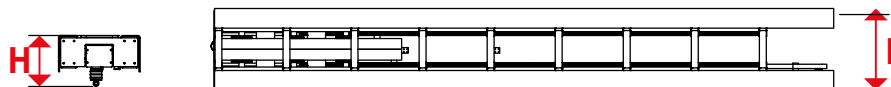
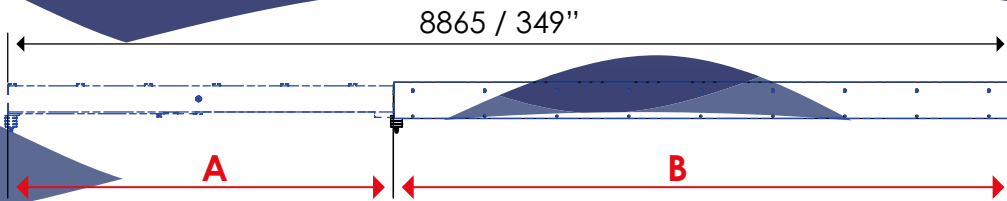
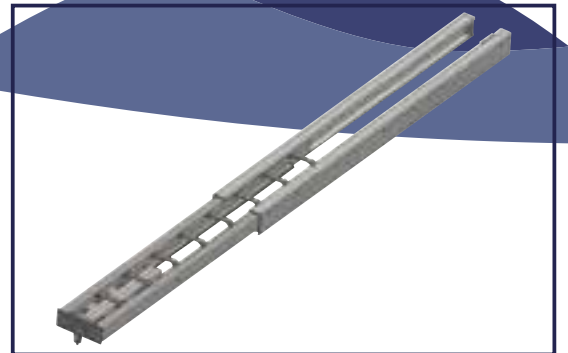
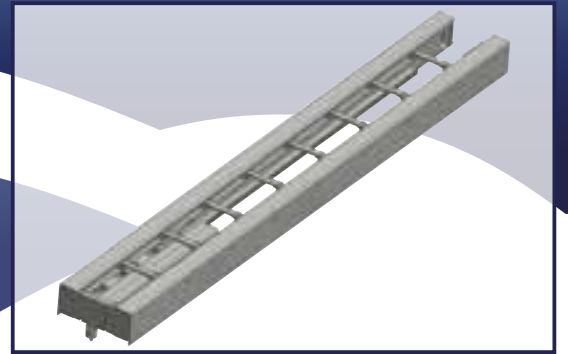
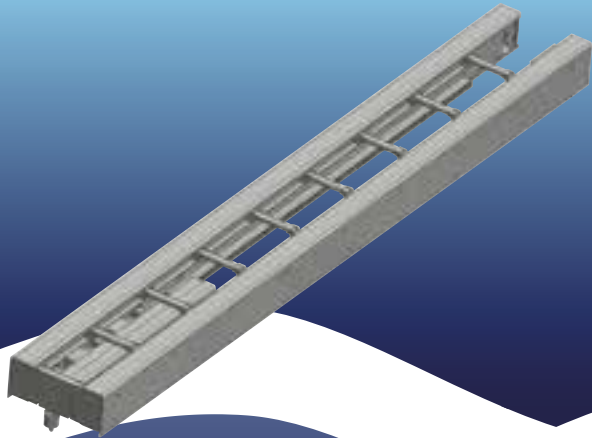
CEILING CRANES 3185

model	A (mm/inch)	B (mm/inch)	capacity standard (kg/lbs)	weight (kg/lbs)
3185/50	2770 110"	2000 79"	1500 3307	800 1765



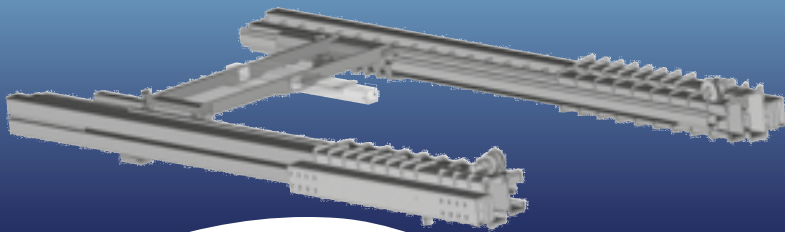
CEILING CRANES 3133

model	A (mm/inch)	B (mm/inch)	L (mm/inch)	H (mm/inch)	capacity standard (kg/lbs)	weight (kg/lbs)
3133/66	3400 133"	5465 215"	720 28"	499 18"	2000 4410	2000 4410

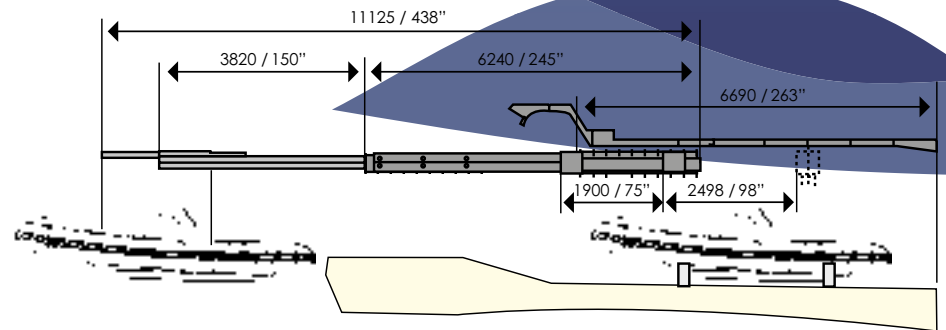
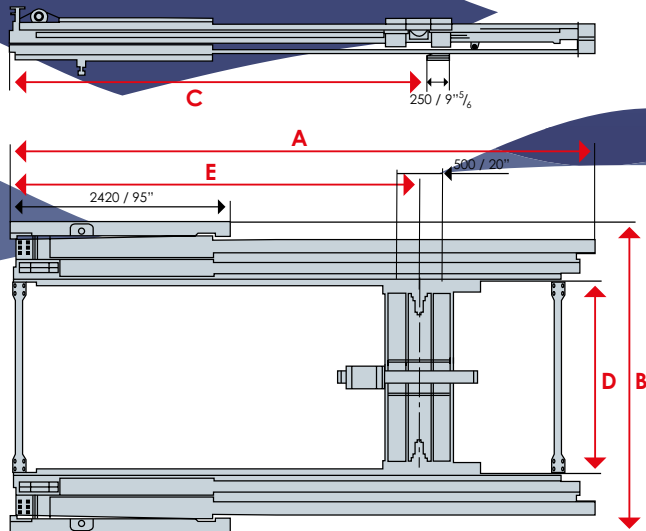


CEILING CRANES 3161

model	A (mm/inch)	B (mm/inch)	C (mm/inch)	D (mm/inch)	E (mm/inch)	capacity standard (kg/lbs)
3161	6440 254"	3480 137"	4590 181"	2196 87"	4500 177"	2000 4400



STANDARD CAPACITY 2000 Kg / 4400 lbs



Архангельск (8182)63-90-72
 Астана (7172)727-132
 Астрахань (8512)99-46-04
 Барнаул (3852)73-04-60
 Белгород (4722)40-23-64
 Брянск (4832)59-03-52
 Владивосток (423)249-28-31
 Волгоград (844)278-03-48
 Вологда (8172)26-41-59
 Воронеж (473)204-51-73
 Екатеринбург (343)384-55-89
 Иваново (4932)77-34-06

Ижевск (3412)26-03-58
 Иркутск (395)279-98-46
 Казань (843)206-01-48
 Калининград (4012)72-03-81
 Калуга (4842)92-23-67
 Кемерово (3842)65-04-62
 Киров (8332)68-02-04
 Краснодар (861)203-40-90
 Красноярск (391)204-63-61
 Курск (4712)77-13-04
 Липецк (4742)52-20-81

Магнитогорск (3519)55-03-13
 Москва (495)268-04-70
 Мурманск (8152)59-64-93
 Набережные Челны (8552)20-53-41
 Нижний Новгород (831)429-08-12
 Новокузнецк (3843)20-46-81
 Новосибирск (383)227-86-73
 Омск (3812)21-46-40
 Орел (4862)44-53-42
 Оренбург (3532)37-68-04
 Пенза (8412)22-31-16

Пермь (342)205-81-47
 Ростов-на-Дону (863)308-18-15
 Рязань (4912)46-61-64
 Самара (846)206-03-16
 Санкт-Петербург (812)309-46-40
 Саратов (845)249-38-78
 Севастополь (8692)22-31-93
 Симферополь (3652)67-13-56
 Смоленск (4812)29-41-54
 Сочи (862)225-72-31
 Ставрополь (8652)20-65-13

Сургут (3462)77-98-35
 Тверь (4822)63-31-35
 Томск (3822)98-41-53
 Тула (4872)74-02-29
 Тюмень (3452)66-21-18
 Ульяновск (8422)24-23-59
 Уфа (347)229-48-12
 Хабаровск (4212)92-98-04
 Челябинск (351)202-03-61
 Череповец (8202)49-02-64
 Ярославль (4852)69-52-93

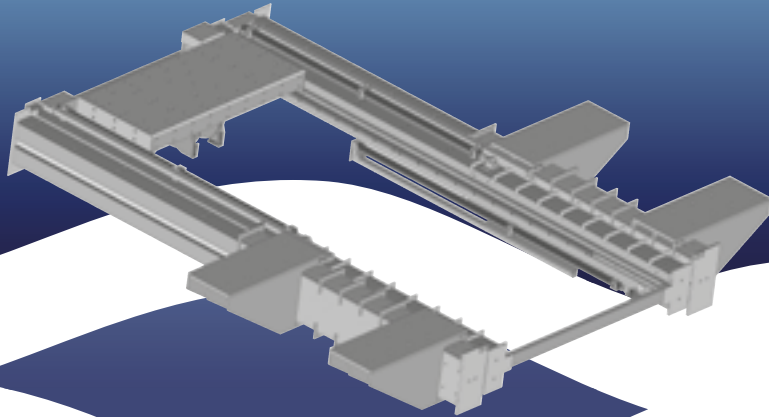
Киргизия (996)312-96-26-47

Россия (495)268-04-70

Казахстан (772)734-952-31

<https://opacmare.nt-rt.ru/> || omp@nt-rt.ru

CEILING CRANES 3162



model	A (mm/inch)	B (mm/inch)	C (mm/inch)	H (mm/inch)	L (mm/inch)	S (mm/inch)	capacity standard (kg/lbs)
3162	6213 245"	4163 164"	2030 80"	490 19"	7380 291"	3930 155"	2500 5500

STANDARD CAPACITY 2500 Kg / 5500 lbs with takle hoist.

