

Архангельск (8182)63-90-72
 Астана (7172)727-132
 Астрахань (8512)99-46-04
 Барнаул (3852)73-04-60
 Белгород (4722)40-23-64
 Брянск (4832)59-03-52
 Владивосток (423)249-28-31
 Волгоград (844)278-03-48
 Вологда (8172)26-41-59
 Воронеж (473)204-51-73
 Екатеринбург (343)384-55-89
 Иваново (4932)77-34-06

Ижевск (3412)26-03-58
 Иркутск (395)279-98-46
 Казань (843)206-01-48
 Калининград (4012)72-03-81
 Калуга (4842)92-23-67
 Кемерово (3842)65-04-62
 Киров (8332)68-02-04
 Краснодар (861)203-40-90
 Красноярск (391)204-63-61
 Курск (4712)77-13-04
 Липецк (4742)52-20-81

Киргизия (996)312-96-26-47

Магнитогорск (3519)55-03-13
 Москва (495)268-04-70
 Мурманск (8152)59-64-93
 Набережные Челны (8552)20-53-41
 Нижний Новгород (831)429-08-12
 Новокузнецк (3843)20-46-81
 Новосибирск (383)227-86-73
 Омск (3812)21-46-40
 Орел (4862)44-53-42
 Оренбург (3532)37-68-04
 Пенза (8412)22-31-16

Россия (495)268-04-70

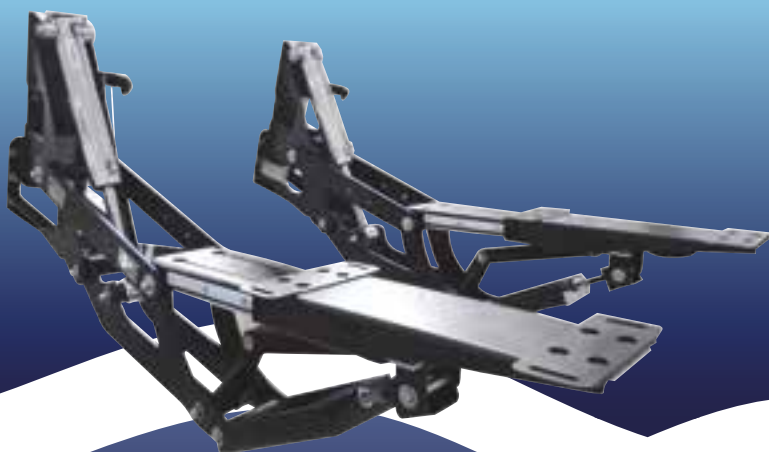
Пермь (342)205-81-47
 Ростов-на-Дону (863)308-18-15
 Рязань (4912)46-61-64
 Самара (846)206-03-16
 Санкт-Петербург (812)309-46-40
 Саратов (845)249-38-78
 Севастополь (8692)22-31-93
 Симферополь (3652)67-13-56
 Смоленск (4812)29-41-54
 Сочи (862)225-72-31
 Ставрополь (8652)20-65-13

Казахстан (772)734-952-31

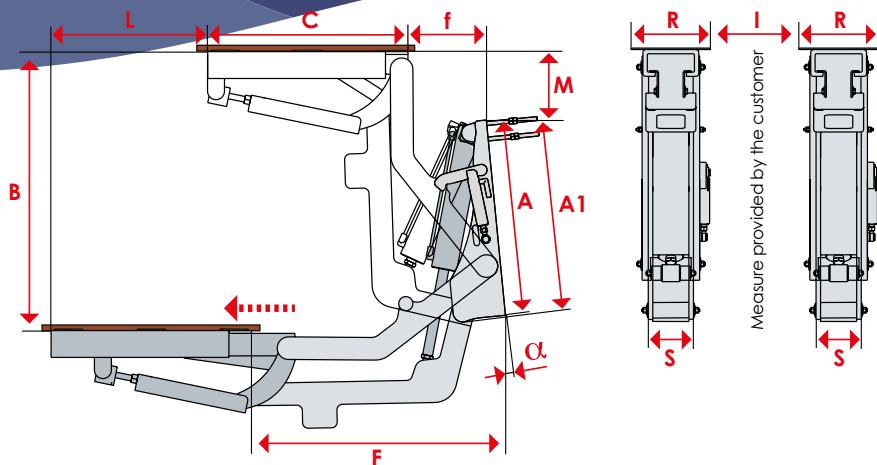
Сургут (3462)77-98-35
 Тверь (4822)63-31-35
 Томск (3822)98-41-53
 Тула (4872)74-02-29
 Тюмень (3452)66-21-18
 Ульяновск (8422)24-23-59
 Уфа (347)229-48-12
 Хабаровск (4212)92-98-04
 Челябинск (351)202-03-61
 Череповец (8202)49-02-64
 Ярославль (4852)69-52-93

<https://opacmare.nt-rt.ru/> || omp@nt-rt.ru

TENDER LIFT WITH INTEGRATED TRANSLATING PLATFORM SYSTEM 5220 loading capacity 300 to 1000 Kg



model	A (mm/ inch)	A1 (mm/ inch)	B (mm/ inch)	C (mm/ inch)	F (mm/ inch)	f (mm/ inch)	L (mm/ inch)	M (mm/ inch)	α	R (mm/ inch)	S (mm/ inch)	capacity standard (kg/lbs)
5220/10.01	695 27" 1/3	710 28"	990 39"	710 28"	900 35" 2/5	275 10" 4/5	555 21" 4/5	245 9" 3/5	2,5°	280 11"	160 6" 1/5	800 1800
5220/10.02	700 27" 1/2	710 28"	980 38" 3/5	620 24" 2/5	825 32" 4/8	295 11" 3/5	505 19" 7/8	230 9"	5,5°	280 11"	160 6" 1/5	800 1800
5220/10.03	570 22" 2/5	605 23" 4/5	935 37"	710 28"	1055 41" 1/2	150 6"	710 28"	200 8"	11,5°	280 11"	228 9"	300 660
5220/10.04	710 28"	710 28"	975 38" 2/5	620 24" 2/5	730 28" 3/4	545 21" 3/8	380 15"	230 9"	2°	280 11"	160 6" 1/5	800 1800
5220/10.05	695 27" 1/3	705 27" 3/4	975 38" 2/5	715 28" 1/5	935 37"	320 13"	630 24" 7/8	290 11" 2/5	-1°	280 11"	160 6" 1/5	800 1800
5220/10.06	650 25" 3/5	720 28" 1/3	965 38"	780 30" 2/3	935 37"	185 7" 1/5	718 28" 1/4	220 8" 3/5	3°	265 10" 2/5	228 9"	800 1800
5220/10.08	710 28"	720 28" 1/3	965 38"	710 28"	640 25" 1/5	395 15" 1/2	445 17" 1/2	210 8" 1/5	2,5	280 11"	160 6" 1/5	800 1800
5220/10.10	710 28"	710 28"	985 38" 4/5	620 24" 2/5	825 32" 4/8	300 12"	500 20"	220 8" 3/5	2,5	280 11"	160 6" 1/5	800 1800



The declared lifting capacity is assured if the load is positioned in the middle of measure C. The loading capacity includes the total platform weight (at shipyard's care), the full loaded tender or the jet ski. Tendelift standard version is electro-polished only.

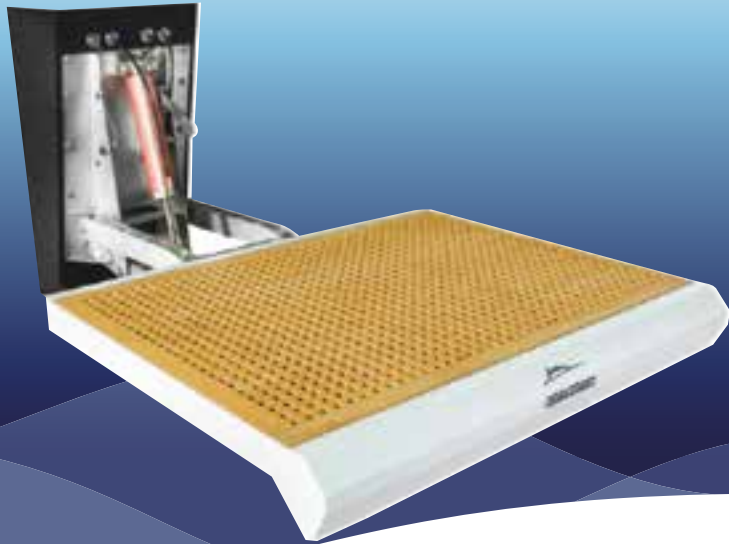


TENDER LIFT WITH INTEGRATED TRANSLATING PLATFORM SYSTEM 5220 loading capacity 300 to 1000 Kg



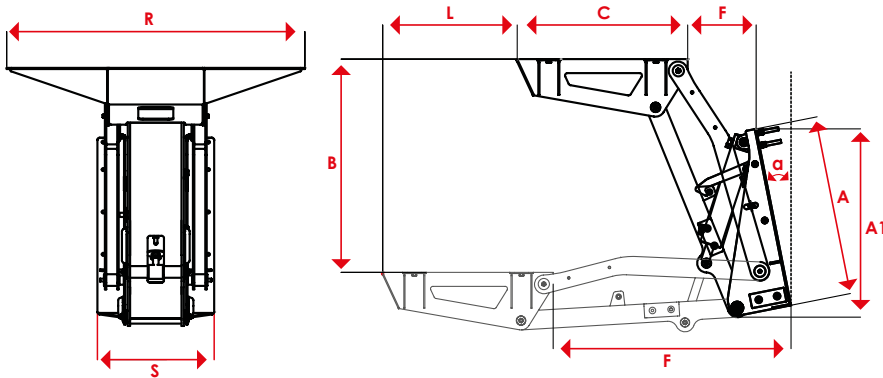
model	A (mm/ inch)	A1 (mm/ inch)	B (mm/ inch)	C (mm/ inch)	F (mm/ inch)	f (mm/ inch)	L (mm/ inch)	M (mm/ inch)	α	R (mm/ inch)	S (mm/ inch)	capacity standard (kg/lbs)
5220/10.14	850 33" 1/2	850 33" 1/2	1020 38" 3/4	650 25" 3/5	1170 32" 2/5	510 11" 4/5	620 24" 2/5	225 9"	2,5°	265 10" 2/5	160 6" 1/5	1000 2200
5220/10.15	710 28"	720 28" 1/3	1000 39" 1/3	655 25" 3/4	1060 41" 3/4	565 22" 1/5	495 19" 2/5	225 10"	0°	280 11"	160 6" 1/5	800 1800
5220/10.16	670 26" 2/5	670 26" 2/5	1000 39" 1/3	625 24" 2/3	635 25"	370 14" 1/2	425 16" 3/4	290 11" 2/5	2°	280 11"	160 6" 1/5	1000 2200
5220/10.17	745 29" 1/3	745 29" 1/3	980 38" 3/5	605 23" 4/5	670 26" 2/5	260 10" 1/5	710 28"	230 9"	2°	280 11"	160 6" 1/5	800 1800
5220/11.01	785 31"	795 31" 1/5	1105 43" 1/2	780 30" 2/3	1000 39" 1/3	520 20" 1/2	480 19"	160 6" 1/5	0°	280 11"	160 6" 1/5	1000 2200
5220/11.02	795 31" 1/5	795 31" 1/5	1070 42"	605 23" 4/5	820 32" 1/4	525 20" 3/5	480 19"	215 8" 2/5	2°	280 11"	160 6" 1/5	1000 2200
5220/11.03	810 31" 4/5	810 31" 4/5	1090 42" 4/5	650 25" 3/5	880 34" 2/3	510 11" 4/5	610 24"	220 8" 3/5	2,5°	280 11"	160 6" 1/5	1200 2640
5220/11.04	650 25" 3/5	810 31" 4/5	1080 42" 2/5	650 25" 3/5	930 36" 3/5	565 22" 1/5	655 25" 3/4	240 9" 2/5	0°	280 11"	160 6" 1/5	800 1800
5220/11.05	760 30"	760 30"	1050 41" 2/5	715 28" 1/5	990 39"	150 6"	840 33" 1/8	285 11" 1/5	2°	280 11"	160 6" 1/5	600 1350
5220/11.08	810 31" 4/5	810 31" 4/5	1080 42" 2/5	1085 42" 3/4	1155 45"	565 22" 1/5	590 23" 1/5	240 9" 2/5	0°	280 11"	160 6" 1/5	1000 2200
5220/12.01	795 31" 1/5	795 31" 1/5	1150 45" 1/4	780 30" 2/3	785 31"	530 20" 4/5	455 18"	225 10"	2,5°	265 10" 2/5	160 6" 1/5	1000 2200
5220/12.02	795 31" 1/5	795 31" 1/5	1240 48" 4/5	780 30" 2/3	750 29" 1/2	520 20" 1/2	425 16" 3/4	250 9" 4/5	10°	265 10" 2/5	160 6" 1/5	1000 2200
5220/70.01	535 21"	535 21"	620 24" 2/5	735 29"	680 26" 4/5	440 17" 1/3	240 9" 2/5	80 3"	0°	280 11"	160 6" 1/5	800 1800
5220/82.01	515 20" 1/5	515 20" 1/5	810 31" 4/5	735 29"	1040 41"	405 16"	530 20" 4/5	185 7" 1/5	12°	280 11"	160 6" 1/5	500 1100
5220/90.02	565 22" 1/5	670 26" 2/5	880 34" 2/3	600 23" 2/3	920 36" 1/5	370 14" 1/2	465 18" 1/3	190 7" 1/5	2,5	280 11"	160 6" 1/5	600 1350
5220/90.03	565 22" 1/5	670 26" 2/5	890 35"	600 23" 2/3	695 27" 1/3	475 18" 3/4	415 16" 2/5	200 8"	2°	280 11"	160 6" 1/5	800 1800
5220/90.04	600 23" 2/3	670 26" 2/5	870 34" 1/4	600 23" 2/3	710 28"	420 16" 1/2	470 18" 2/4	180 7"	2,5°	280 11"	160 6" 1/5	600 1350
5220/90.06	530 20" 4/5	540 21" 1/4	875 34" 2/4	625 24" 2/3	630 24" 4/5	330 13"	440 17" 1/3	325 12" 3/4	0°	280 11"	160 6" 1/5	800 1800

SINGLE ARM TENDER LIFT 5227 loading capacity 600 Kg to 800 Kg



model	A (mm/ inch)	A1 (mm/ inch)	B (mm/ inch)	C (mm/ inch)	F (mm/ inch)	f (mm/ inch)	L (mm/ inch)	M (mm/ inch)	α	R (mm/ inch)	S (mm/ inch)	capacity standard (kg/lbs)
5227/75.01	770 30"	805 32"	740 29"	735 29"	1020 40"	565 22"	305 12"	130 5"	11°	1275 50"	500 20"	600 1350
5227/95.02	650 26"	740 29"	935 37"	830 33"	805 32"	485 19"	320 13"	150 6"	0°	1275 50"	930 37"	800 1770
5227/95.03	770 30"	805 32"	910 36"	730 29"	1010 40"	300 12"	575 23"	300 12"	11°	1275 50"	500 20"	600 1350

Note: The declared lifting capacity is assured if the load is positioned in the middle of measure C. The loading capacity includes the total platform weight (at shipyard's care), the full loaded tender or the jet ski.
Tendelift standard version is electro-polished only.



TENDER LIFT WITH ANGULAR FIXING PLATE 5221 loading capacity 300 Kg



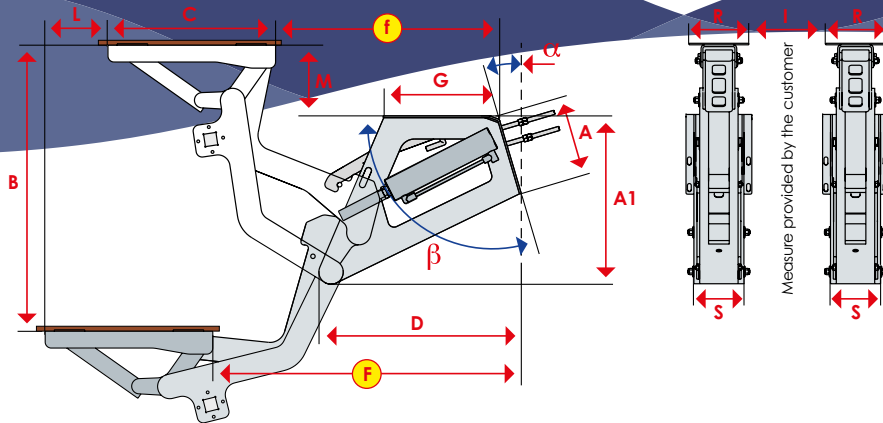
model	A (mm/ inch)	A1 (mm/ inch)	B (mm/ inch)	C (mm/ inch)	F (mm/ inch)	f (mm/ inch)	G (mm/ inch)	L (mm/ inch)	M (mm/ inch)	α	β	R (mm/ inch)	S (mm/ inch)	capacity standard (kg/lbs)
5221/80.01	520 20" 2/5	590 23" 1/5	775 30" 2/5	550 21" 2/3	990 39"	720 28" 2/5	350 13" 4/5	150 6"	180 7"	14°	109°	200 7" 4/5	225 8" 1/2	600 1320
5221/95.01	265 10" 1/2	555 21" 4/5	940 37"	550 21" 2/3	1010 40"	730 29"	380 15"	205 8"	235 9" 1/4	16,5°	106,5°	200 7" 4/5	215 8" 1/2	300 660
5221/95.03	275 20" 4/5	605 23" 4/5	955 37" 3/5	750 29" 3/5	1080 42" 3/5	855 33" 3/5	375 14" 3/5	160 6" 1/5	190 7" 2/5	17°	114°	200 7" 4/5	225 8" 1/2	300 660

To be installed on bulwarks with extended fixed platform portion.

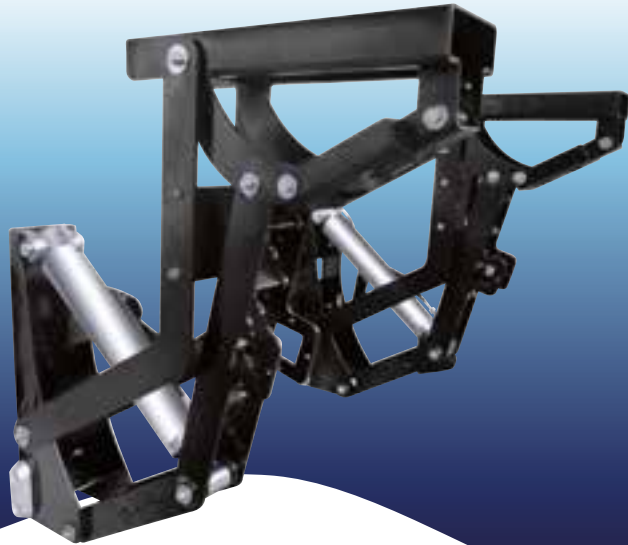
Note: The declared lifting capacity is assured if the load is positioned in the middle of measure C.

The loading capacity includes the total platform weight (at shipyard's care), the full loaded tender or the jet ski.

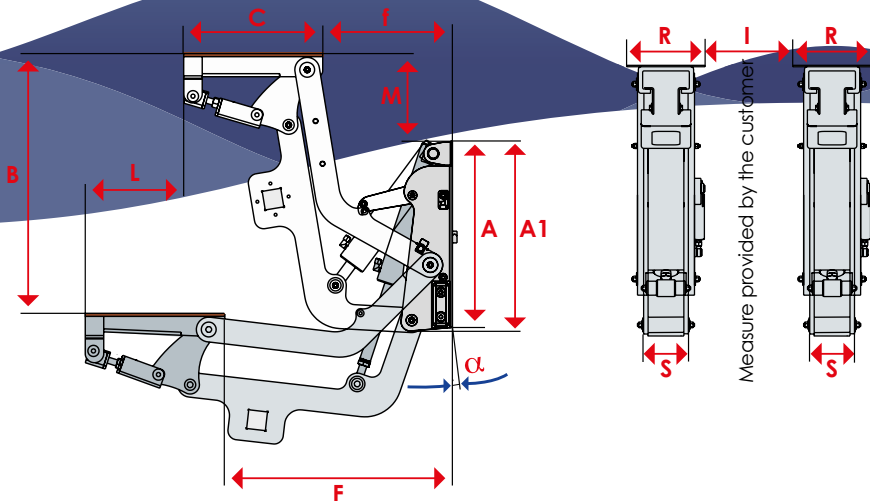
Tendelift standard version is electro-polished only.



TENDER LIFT 5222 loading capacity 600 to 1100 Kg



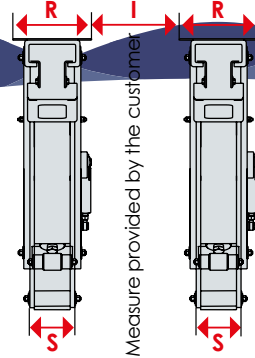
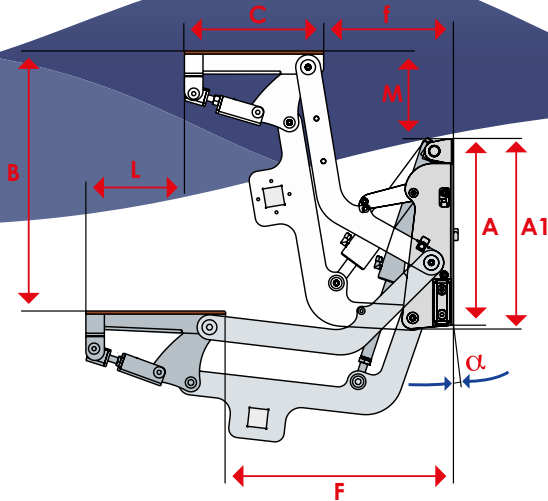
model	A (mm/ inch)	A1 (mm/ inch)	B (mm/ inch)	C (mm/ inch)	F (mm/ inch)	f (mm/ inch)	L (mm/ inch)	M (mm/ inch)	α	R (mm/ inch)	S (mm/ inch)	capacity standard (kg/lbs)
5222/10.01	700 27" 1/2	710 28"	990 39"	620 24" 2/5	845 33"	423 16" 2/5	422 16" 3/5	378 14" 4/5	0°	177 7"	160 6" 1/5	800 1770
5222/10.03	547 21" 1/2	715 28" 1/8	1039 40" 2/3	905 35" 3/5	785 31"	525 20" 3/5	275 10" 4/5	260 10" 1/5	1°	177 7"	160 6" 1/5	800 1770
5222/10.05	725 28" 1/2	735 29"	930 37"	805 31" 3/5	565 22" 1/5	320 13"	230 9"	135 5" 1/3	1°	177 7"	160 6" 1/5	800 1770
5222/10.07	530 21"	540 21" 1/4	985 38" 4/5	900 35" 2/5	965 38"	645 26"	320 13"	465 18" 1/3	1°	177 7"	160 6" 1/5	900 2000
5222/10.10	725 28" 1/2	735 29"	930 37"	805 31" 3/5	895 35" 1/5	770 30" 2/5	125 5"	135 5" 1/3	1°	177 7"	160 6" 1/5	800 1770
5222/10.12	730 28" 5/8	740 29"	1015 40"	755 29" 5/7	530 21"	355 14"	175 7"	140 5" 1/3	3,5°	177 7"	160 6" 1/5	850 1770
5222/10.14	530 21"	540 21" 1/4	985 38" 4/5	900 35" 2/5	965 38"	645 26"	320 13"	465 18" 1/3	1°	177 7"	160 6" 1/5	1000 2200
5222/10.17	550 21" 2/5	715 28" 1/8	1045 41" 1/5	905 35" 3/5	760 30"	530 21"	230 9"	235 5" 2/5	1,5°	177 7"	160 6" 1/5	700 1550
5222/10.20	785 31"	785 31"	1010 39" 4/5	805 31" 3/5	790 31"	330 13"	460 18"	290 11" 2/5	0°	177 7"	160 6" 1/5	1100 2425
5222/10.22	550 21" 2/5	715 28" 1/8	1015 40"	800 31" 2/5	790 31"	530 21"	280 11"	560 22" 1/8	-1°	177 7"	160 6" 1/5	700 1550
5222/11.01	530 21"	540 21" 1/4	1070 42"	695 27" 1/3	940 37"	645 25" 1/3	295 11" 3/5	465 18" 1/3	1°	177 7"	160 6" 1/5	600 1350
5222/11.02	785 31"	795 31" 2/5	1110 43" 4/5	935 37"	640 25" 1/5	475 18" 3/4	165 6" 2/5	125 5"	1,5°	177 7"	160 6" 1/5	1100 2400
5222/12.04	860 33" 4/4	860 33" 4/4	1120 44" 1/5	1210 47" 3/5	890 35"	490 19" 2/5	400 15" 4/5	260 10" 1/5	10°	177 7"	160 6" 1/5	1200 2645



Note: The declared lifting capacity is assured if the load is positioned in the middle of measure C. The loading capacity includes the total platform weight (at shipyard's care), the full loaded tender or the jet ski.



TENDER LIFT 5222 loading capacity 600 to 1100 Kg

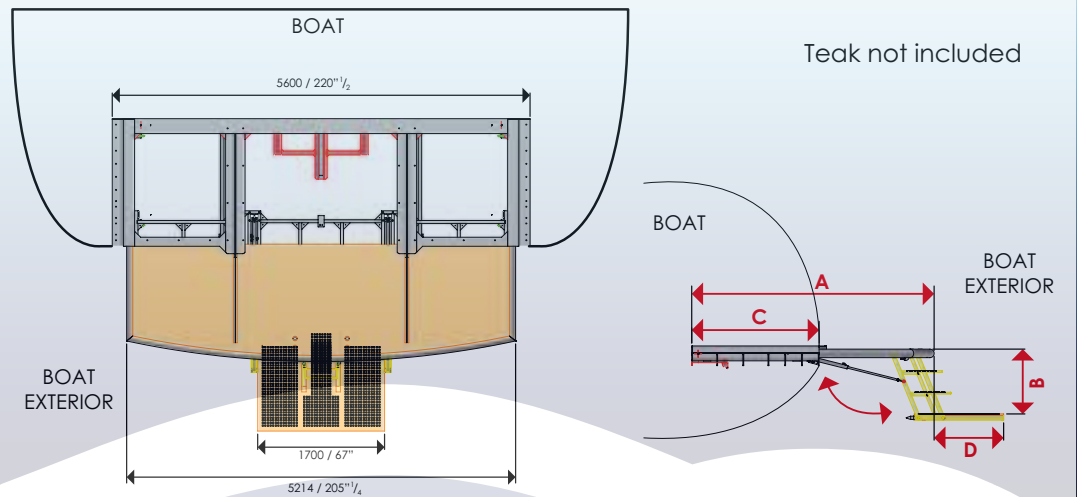


model	A (mm/ inch)	A1 (mm/ inch)	B (mm/ inch)	C (mm/ inch)	F (mm/ inch)	f (mm/ inch)	L (mm/ inch)	M (mm/ inch)	α	R (mm/ inch)	S (mm/ inch)	capacity standard (kg/lbs)
5222/12.05	705 27" 3/4	715 28" 1/8	1120 44" 1/5	805 31" 3/5	1105 43" 2/5	810 32"	295 11" 3/5	430 17"	0°	177 7"	160 6" 1/5	800 1770
5222/12.08	805 32"	805 31" 3/5	1170 46" 1/5	755 29" 5/7	930 37"	550 21" 2/5	380 15"	340 13" 2/5	2°	177 7"	160 6" 1/5	1200 2645
5222/13.01	785 31"	800 31" 2/5	1330 52" 1/3	755 29" 5/7	845 33" 1/5	515 20" 1/5	330 13"	325 12" 3/4	0°	177 7"	160 6" 1/5	800 1770
5222/80.01	600 23" 1/2	600 23" 1/2	855 33" 3/5	700 27" 1/2	650 26"	480 19"	170 6" 4/5	155 6"	2°	177 7"	160 6" 1/5	500 1100
5222/80.02	590 23" 1/5	600 23" 1/2	760 30"	800 31" 2/5	680 26" 4/5	570 22" 2/5	110 4" 2/5	127 5"	5°	143 5" 2/3	160 6" 1/5	800 1770
5222/90.01	603 23" 2/3	613 24"	840 33" 1/8	450 17" 2/3	736 29"	420 16" 3/5	316 12" 2/5	283 11"	0°	177 7"	137 5" 1/3	600 1350
5222/90.02	700 27" 1/2	710 28"	900 35" 2/5	625 24" 3/5	660 26"	300 11" 4/5	360 14" 1/5	275 10" 4/5	0°	177 7"	160 6" 1/5	900 2000
5222/90.03	610 24"	620 24" 2/5	910 35" 4/5	625 24" 3/5	555 21" 4/5	330 13"	225 8" 4/5	250 9" 4/5	0°	177 7"	160 6" 1/5	700 1550
5222/90.04	590 23" 1/5	600 23" 3/5	855 33" 3/5	805 31" 3/5	730 28" 3/4	465 18" 1/3	265 10" 2/5	270 10" 3/5	0°	177 7"	160 6" 1/5	700 1550
5222/90.05	610 24"	620 24" 2/5	885 34" 3/5	805 31" 3/5	550 21" 2/5	335 13"	215 " 2/5	240 9" 2/5	1.5°	177 7"	160 6" 1/5	800 1770
5222/90.07	550 21" 2/5	550 21" 2/5	900 35" 2/5	685 27"	505 19" 7/8	270 10" 3/5	235 9" 1/5	300 11" 4/5	2°	177 7"	160 6" 1/5	800 1770
5222/90.09	615 24" 1/5	660 26"	910 35" 4/5	760 30"	505 19" 7/8	230 9"	275 10" 4/5	270 10" 3/5	-2°	177 7"	160 6" 1/5	600 1350
5222/90.10	700 27" 1/2	710 28"	905 35" 3/5	955 37" 3/5	780 30" 4/5	485 19"	295 11" 3/5	240 9" 2/5	1.5°	177 7"	160 6" 1/5	900 2000
5222/90.12	700 27" 1/2	710 28"	910 35" 4/5	825 32" 4/8	720 28" 1/3	385 15"	335 13"	240 9" 2/5	1.5°	177 7"	160 6" 1/5	900 2000
5222/90.15	620 24" 3/8	630 24" 7/8	885 34" 3/5	465 18" 1/3	710 28"	350 14"	360 14" 1/5	280 11"	0°	177 7"	160 6" 1/5	600 1350
5222/90.17	603 23" 2/3	613 24"	840 33" 1/8	450 17" 2/3	740 29"	420 16" 3/5	320 13"	285 11" 1/5	0°	143 5" 2/3	137 5" 1/3	600 1350
5222/90.18	700 27" 1/2	710 28"	910 35" 4/5	935 37"	715 28" 1/8	390 15" 2/5	325 12" 3/4	230 9"	2°	177 7"	160 6" 1/5	600 1350
5222/90.19	603 23" 5/8	613 24"	845 33" 2/4	470 18" 2/4	710 28"	400 15" 4/5	310 12" 1/5	275 10" 4/5	1°	143 5" 2/3	137 5" 1/3	600 1350
5222/90.20	505 19" 7/8	505 19" 7/8	900 35" 2/5	700 27" 1/2	760 30"	810 32"	-50 -2	180 7"	0°	177 7"	160 6" 1/5	800 1770
5222/90.22	610 24"	620 24" 2/5	890 35"	805 31" 3/5	590 23" 1/5	370 14" 1/2	220 8" 3/5	240 9" 2/5	1.5°	177 7"	160 6" 1/5	800 1770
5222/90.23	785 31"	795 31" 2/5	920 36" 1/5	935 37"	740 29"	475 18" 3/4	320 10" 2/5	125 5"	1.5°	177 7"	160 6" 1/5	800 1770
5222/90.24	603 23" 2/3	613 24"	840 33" 1/8	470 18" 2/4	720 28" 1/3	400 15" 4/5	320 13"	280 11"	1°	143 5" 2/3	137 5" 1/3	800 1770
5222/90.30	560 22" 1/8	560 22" 1/8	860 33" 4/4	805 31" 3/5	725 28" 1/2	460 18"	265 10" 2/5	320 13"	14°	177 7"	160 6" 1/5	700 1550
5222/90.31	545 21" 3/8	545 21" 3/8	895 35" 1/5	685 27"	525 20" 3/5	260 10" 1/5	265 10" 2/5	315 12" 2/5	0°	177 7"	160 6" 1/5	800 1770

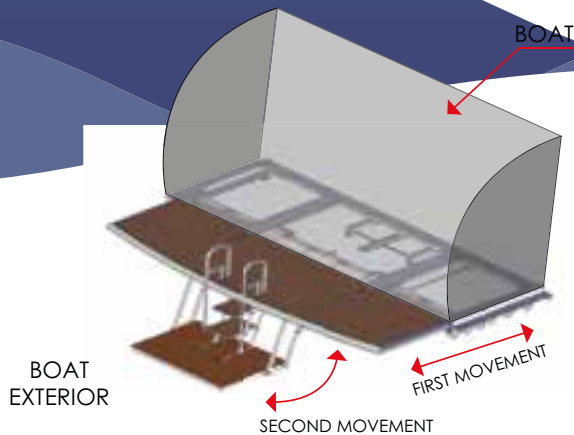
CUSTOMISED PLATFORM WITH AUTOMATIC STEPS 3322



model	A (mm/inch)	B (mm/inch)	C (mm/inch)	D (mm/inch)
3322	3255 128"	871 34" 1/3	1710 67" 1/3	933 36" 3/4



Only customised sizes.
Additional ladder also available
(OPTIONAL).

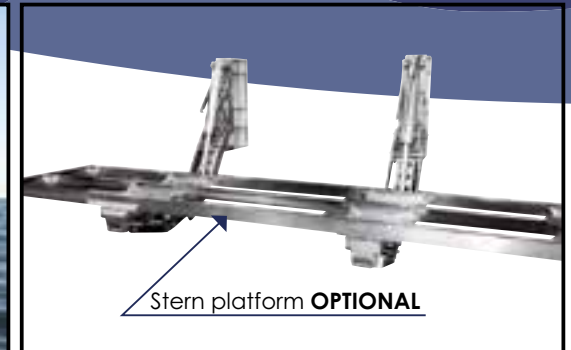
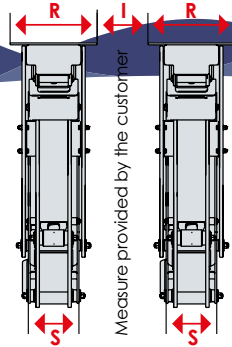
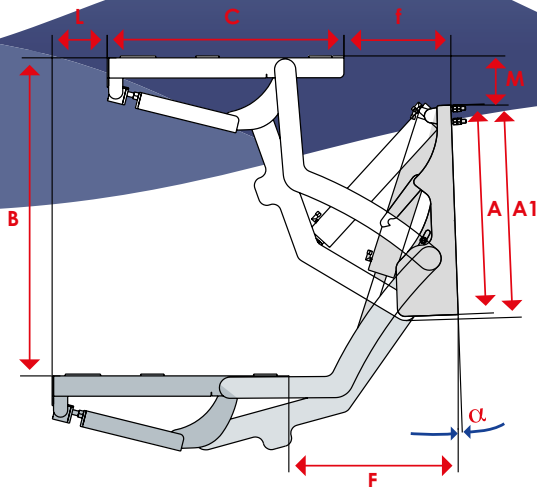


TENDER LIFT 5223 loading capacity 1600 to 2000 Kg



model	A (mm/ inch)	A1 (mm/ inch)	B (mm/ inch)	C (mm/ inch)	F (mm/ inch)	f (mm/ inch)	L (mm/ inch)	M (mm/ inch)	α	R (mm/ inch)	S (mm/ inch)	capacity standard (kg/lbs)	capacity optional (kg/lbs)
5223/11.02	1055 41" 1/2	1055 41" 1/2	1100 43"	1020 40"	1460 57" 1/2	755 29" 5/7	250 9" 4/5	190 7" 1/2	3°	370 14" 1/2	215 8" 1/2	1600 3500	2000 4400
5223/13.02	890 35"	890 35"	1310 51" 3/5	1010 40"	755 29" 5/7	445 17" 1/2	250 9" 4/5	230 9"	0°	370 14" 1/2	215 8" 1/2	1350 2976	2000 4400
5223/13.03	1055 41" 1/2	1055 41" 1/2	1285 50" 1/2	1020 40"	1340 52" 6/8	1010 40"	330 13"	280 11"	2°	354 14"	229 9"	1600 3500	2000 4400
5223/13.06	1054 41" 1/2	1109 43" 1/2	1317 52"	1020 40"	1465 57" 1/2	1202 47"	263 10" 1/3	251 10"		246 9" 3/5	229 9"	2300 5071	
5223/13.07	815 32"	870 34"	1250 49"	1020 40"	843 33"	364 14"	479 19"	408 16"		246 9" 3/5	229 9"	1600 3527	

Note: The declared lifting capacity is assured if the load is positioned in the middle of measure C.
The loading capacity includes the total platform weight (at shipyard's care), the full loaded tender or the jet ski.
Tendelift standard version is electro-polished only.

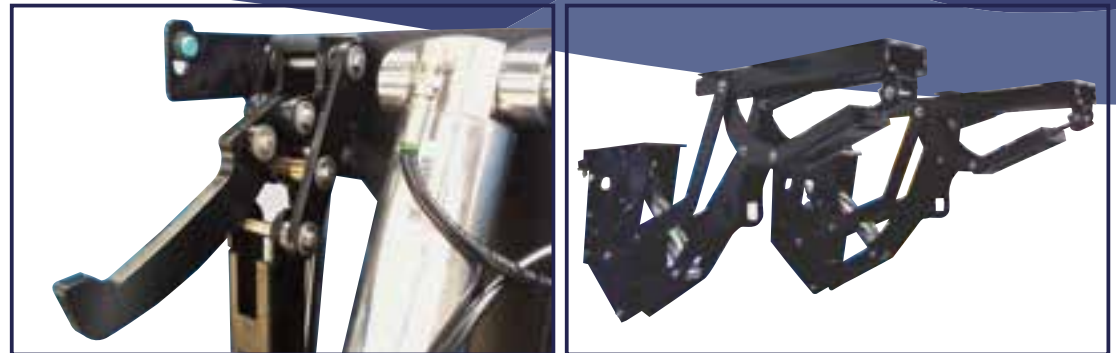
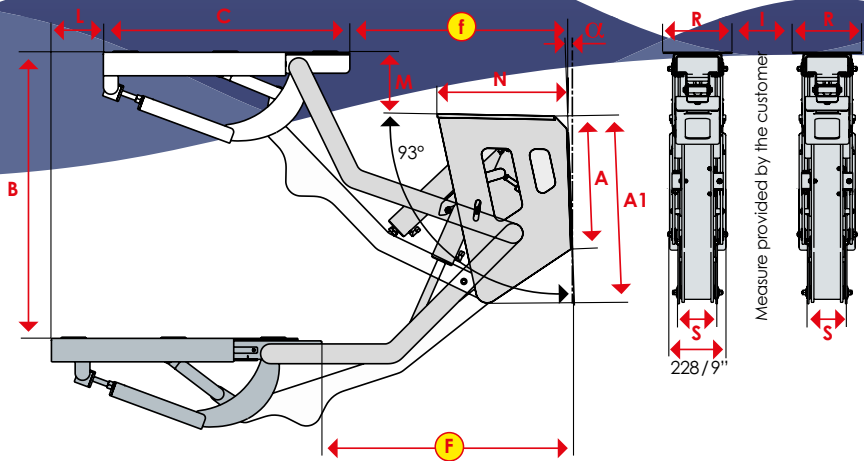


TENDER LIFT WITH ANGULAR FIXING PLATE 5224 loading capacity 1000 Kg



model	A (mm/ inch)	A1 (mm/ inch)	B (mm/ inch)	C (mm/ inch)	F (mm/ inch)	f (mm/ inch)	L (mm/ inch)	M (mm/ inch)	N (mm/ inch)	α	R (mm/ inch)	S (mm/ inch)	capacity standard (kg/lbs)
5224/12	540 21" 1/4	775 30" 1/2	1160 45" 2/3	1000 39" 2/5	1020 40"	885 34" 4/5	210 8" 1/4	250 9" 4/5	530 20" 4/5	2°	280 11"	160 6" 1/3	1000 2200

To be installed on bulwarks with extended fixed platform portion.
 Note: The declared lifting capacity is assured if the load is positioned in the middle of measure C.
 The loading capacity includes the total platform weight (at shipyard's care), the full loaded tender or the jet ski.
 Tendelift standard version is electro-polished only.



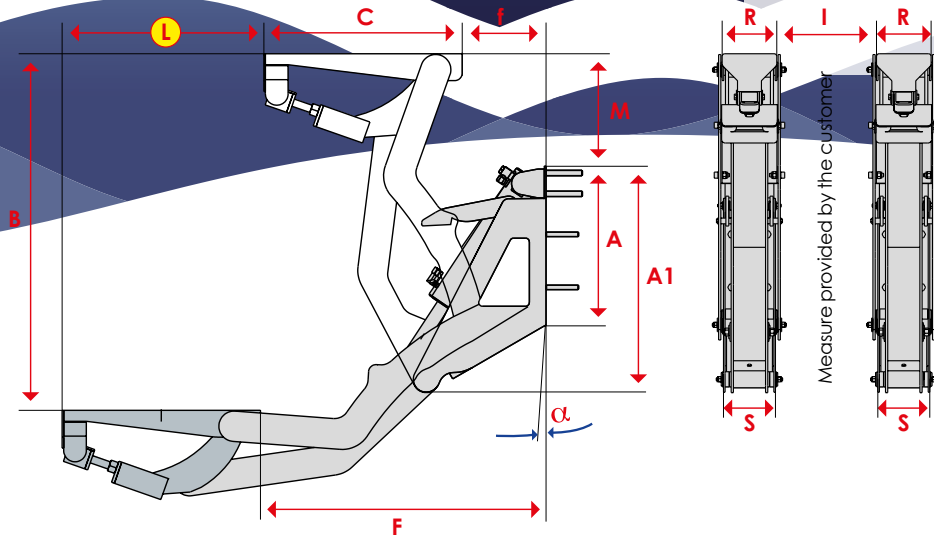
TENDER LIFT 5225 loading capacity 350 Kg



model	A (mm/ inch)	A1 (mm/ inch)	B (mm/ inch)	C (mm/ inch)	F (mm/ inch)	f (mm/ inch)	L (mm/ inch)	M (mm/ inch)	α	R (mm/ inch)	S (mm/ inch)	capacity standard (kg/lbs)
5225/10.01	420 16" 1/2	600 23" 2/3	955 37" 2/3	525 20" 2/3	750 29" 1/2	230 9"	510 20"	290 11" 2/5	1,5°	144 5" 2/3	- -	350 770
5225/85.01	530 20" 4/5	535 21"	830 32" 2/3	625 24" 2/3	490 19" 1/5	260 10" 1/5	215 8" 3/5	245 9" 3/5	1,5°	144 5" 2/3	137 5" 1/3	350 770

Note: The declared lifting capacity is assured if the load is positioned in the middle of measure C. The loading capacity includes the total platform weight (at shipyard's care), the full loaded tender or the jet ski.

Tendelift standard version is electro-polished only.

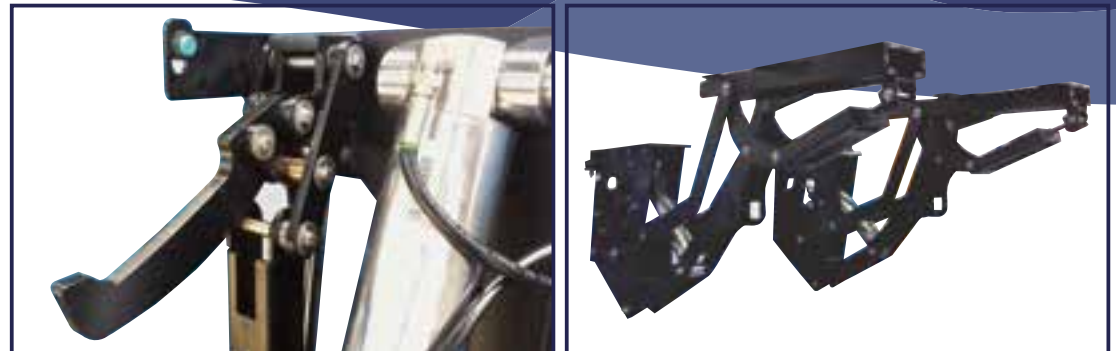
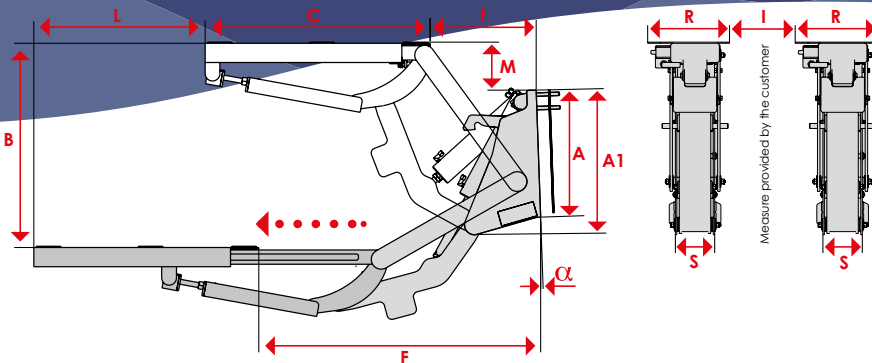


TENDER LIFT WITH INTEGRATED TRANSLATING PLATFORM SYSTEM 5226 loading capacity 400 Kg

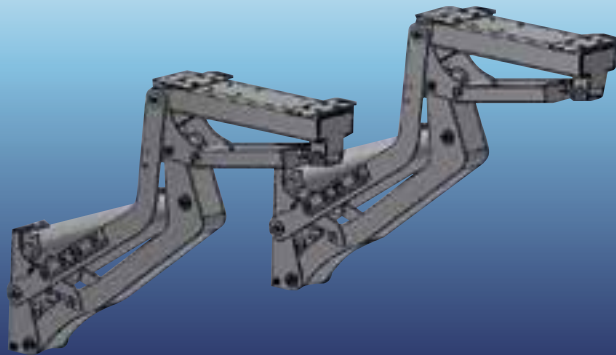


model	A (mm/ inch)	A1 (mm/ inch)	B (mm/ inch)	C (mm/ inch)	F (mm/ inch)	f (mm/ inch)	R (mm/ inch)	S (mm/ inch)	L (mm/ inch)	M (mm/ inch)	α	capacity standard (kg/lbs)
5226/85.02	520 20" 2/5	580 22" 4/5	815 32"	915 36"	1155 45"	420 16" 1/2	133 13"	160 6" 1/5	755 30"	225 8" 4/5	-2°	400 880

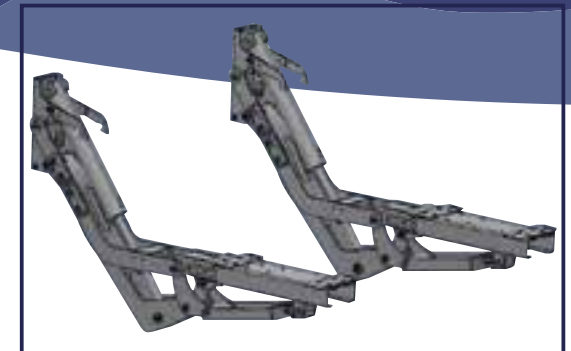
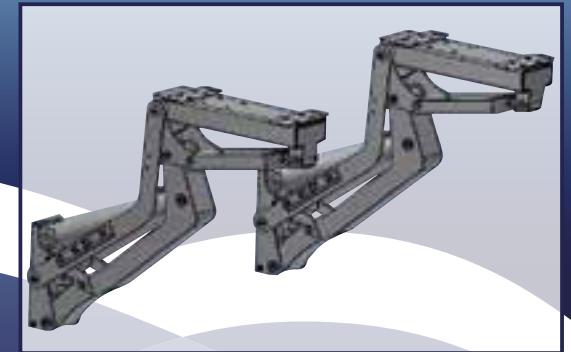
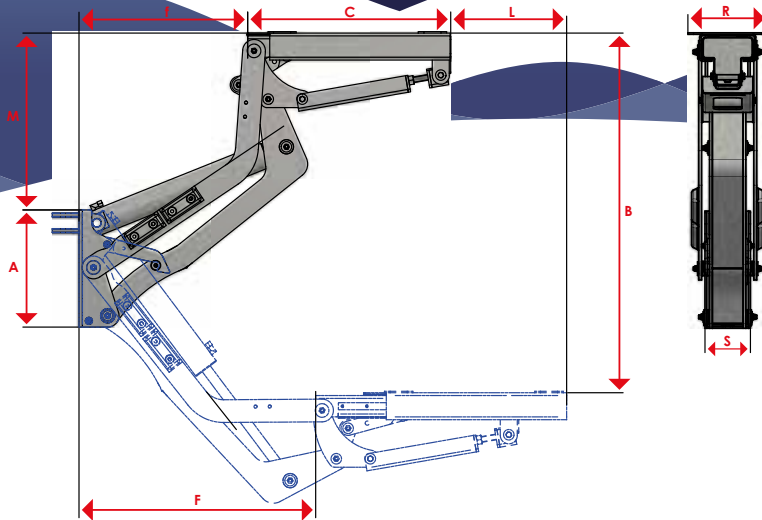
Note: The declared lifting capacity is assured if the load is positioned in the middle of measure C. The loading capacity includes the total platform weight (at shipyard's care), the full loaded tender or the jet ski.
Tendelift standard version is electro-polished only.



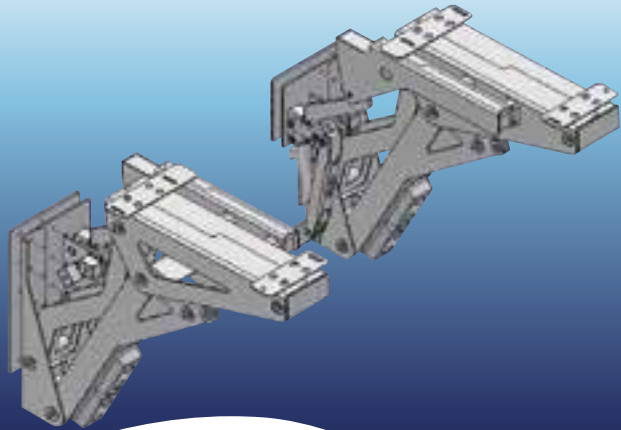
TENDER LIFT 5231



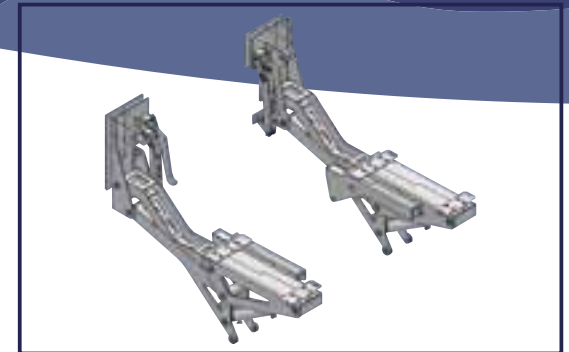
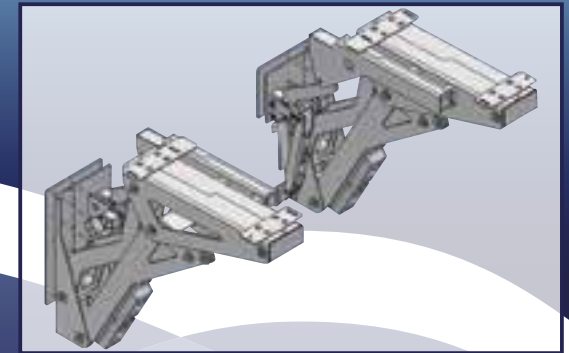
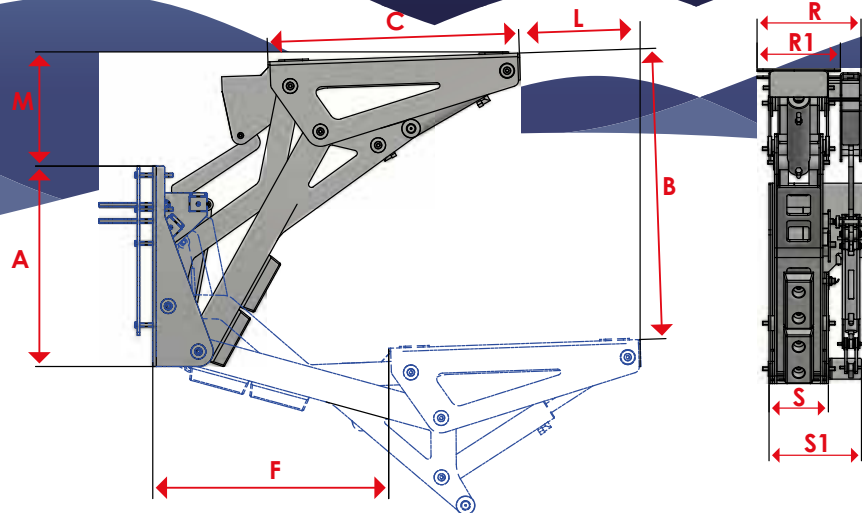
model	A (mm/ inch)	A1 (mm/ inch)	B (mm/ inch)	C (mm/ inch)	F (mm/ inch)	f (mm/ inch)	L (mm/ inch)	M (mm/ inch)	α	R (mm/ inch)	S (mm/ inch)	capacity standard (kg/lbs)
5231/13.02	415 16" 2/5	415 16" 2/5	1265 49" 4/5	715 26" 1/5	1000 39" 2/5	590 23" 1/5	410 16" 1/5	630 24" 7/8	0°	280 11"	160 6" 1/5	1000 2204



TENDER LIFT 5232



model	A (mm/ inch)	B (mm/ inch)	C (mm/ inch)	F (mm/ inch)	L (mm/ inch)	M (mm/ inch)	α	R (mm/ inch)	R1 (mm/ inch)	S (mm/ inch)	S1 (mm/ inch)	capacity standard (kg/lbs)
5232/13.01	675 26" 1/2	979 38" 1/2	847,5 33" 1/3	795 31" 1/3	373 14" 7/10	385 15"	-1,5°	350 13" 3/4	280,5 11"	200 7" 9/10	311,5 12" 1/4	1000 2204



Архангельск (8182)63-90-72
 Астана (7172)727-132
 Астрахань (8512)99-46-04
 Барнаул (3852)73-04-60
 Белгород (4722)40-23-64
 Брянск (4832)59-03-52
 Владивосток (423)249-28-31
 Волгоград (844)278-03-48
 Вологда (8172)26-41-59
 Воронеж (473)204-51-73
 Екатеринбург (343)384-55-89
 Иваново (4932)77-34-06

Ижевск (3412)26-03-58
 Иркутск (395)279-98-46
 Казань (843)206-01-48
 Калининград (4012)72-03-81
 Калуга (4842)92-23-67
 Кемерово (3842)65-04-62
 Киров (8332)68-02-04
 Краснодар (861)203-40-90
 Красноярск (391)204-63-61
 Курск (4712)77-13-04
 Липецк (4742)52-20-81

Магнитогорск (3519)55-03-13
 Москва (495)268-04-70
 Мурманск (8152)59-64-93
 Набережные Челны (8552)20-53-41
 Нижний Новгород (831)429-08-12
 Новокузнецк (3843)20-46-81
 Новосибирск (383)227-86-73
 Омск (3812)21-46-40
 Орел (4862)44-53-42
 Оренбург (3532)37-68-04
 Пенза (8412)22-31-16

Пермь (342)205-81-47
 Ростов-на-Дону (863)308-18-15
 Рязань (4912)46-61-64
 Самара (846)206-03-16
 Санкт-Петербург (812)309-46-40
 Саратов (845)249-38-78
 Севастополь (8692)22-31-93
 Симферополь (3652)67-13-56
 Смоленск (4812)29-41-54
 Сочи (862)225-72-31
 Ставрополь (8652)20-65-13

Сургут (3462)77-98-35
 Тверь (4822)63-31-35
 Томск (3822)98-41-53
 Тула (4872)74-02-29
 Тюмень (3452)66-21-18
 Ульяновск (8422)24-23-59
 Уфа (347)229-48-12
 Хабаровск (4212)92-98-04
 Челябинск (351)202-03-61
 Череповец (8202)49-02-64
 Ярославль (4852)69-52-93

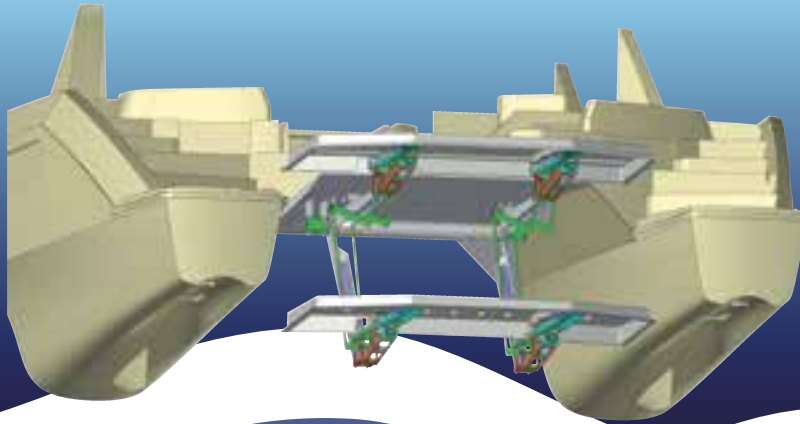
Киргизия (996)312-96-26-47

Россия (495)268-04-70

Казахстан (772)734-952-31

<https://opacmare.nt-rt.ru/> || omp@nt-rt.ru

TENDER LIFT 5240 FOR CATAMARANS



model	A (mm/inch)	B (mm/inch)
5240	1550 61"	1600 63"

EXAMPLE OF TENDER LIFT INSTALLATION ON A CATAMARAN
 CUSTOMISED SOLUTION

